

Model PT 4 (C282)

PARTS CATALOG

Ricoh Company, LTD.

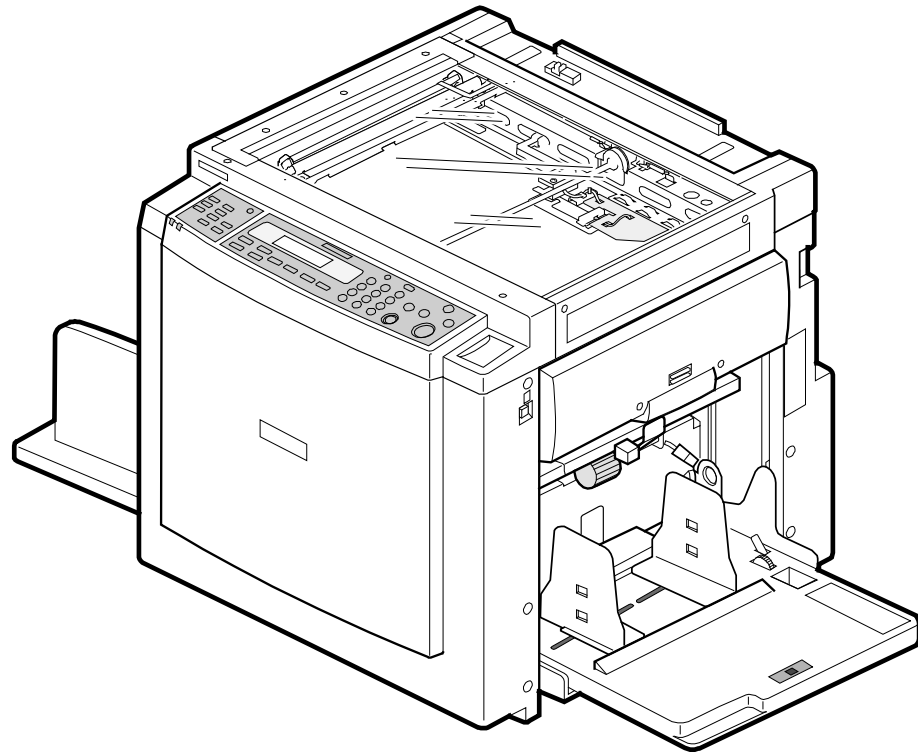
Model PT 4 (C282)

PARTS CATALOG

This catalog gives the numbers and names of parts on this machine.

Model PT 4	(C282)
DF Type20	(C642)
Color Drum Type20	(C647)
TAPE Dispenser Type20	(C651)
Platen Cover Type 1018	(B406)

Model PT 4 (C282)



Model PT 4 (C282)

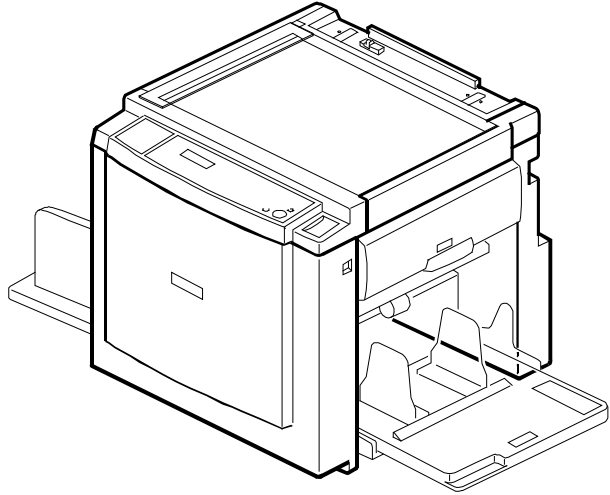
PARTS CATALOG

This catalog gives the numbers and names of parts on this machine.

Location Of Unit.....	2	18.Delibary Table (C282).....	42
1.Exterior (C282)	8	19.Master Eject Unit 1 (C282).....	44
2.Operation Panel (C282).....	10	20.Master Eject Unit 2 (C282).....	46
3.Scanner Unit 1 (C282)	12	21.Electrical Section 1 (C282)	48
4.Scanner Unit 2 (C282).....	14	22.Electrical Section 2 (C282)	50
5.Scanner Unit 3 (C282).....	16	23.Drive Section 1 (C282).....	52
6.Paper Table Section (C282)	18	24.Drive Section 2 (C282).....	54
7.Paper Registration 1 (C282).....	20	25.Frame Section 1 (C282).....	56
8.Paper Registration 2 (C282).....	22	26.Frame Section 2 (C282).....	58
9.Paper Feed Section (C282).....	24	27.Decals And Documents (C282)	60
10.Plotter Unit 1 (C282)	26	28.Special Tools (C282)	64
11.Plotter Unit 2 (C282)	28	Parts Index.....	67
12.Plotter Unit 3 (C282)	30		
13.Press Roller Section (C282)	32		
14.Drum Unit 1 (C282).....	34		
15.Drum Unit 2 (C282).....	36		
16.Drum Unit 3 (C282).....	38		
17.Vacuume Fan Unit (C282).....	40		

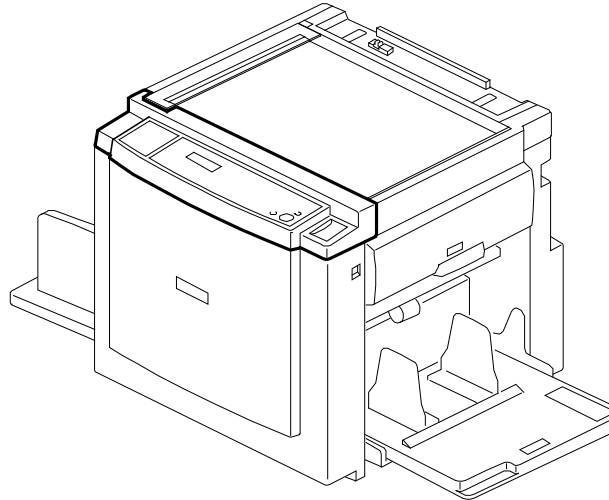
LOCATIONS OF UNITS

1. Exterior (C282)



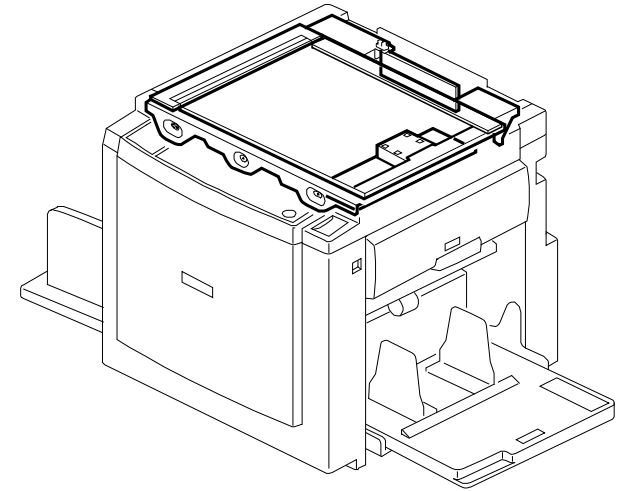
See Page 9

2. Operation Panel (C282)



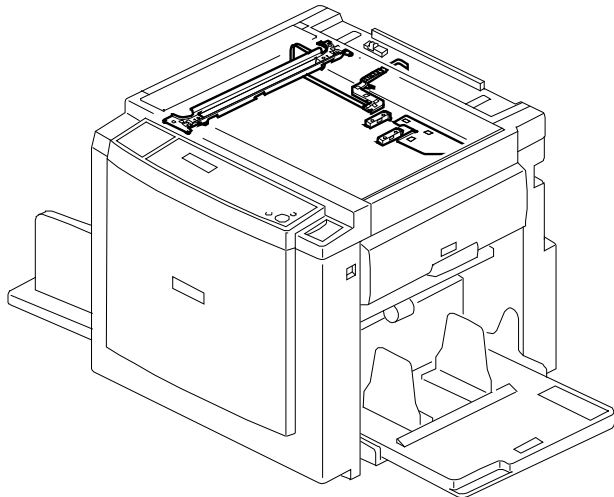
See Page 11

3. Scanner Unit 1 (C282)



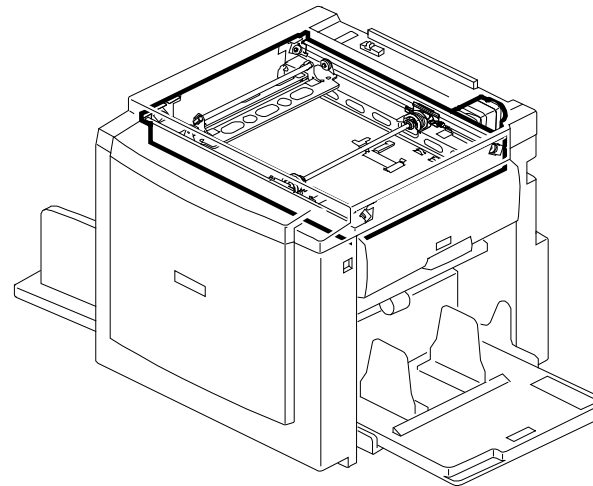
See Page 13

4. Scanner Unit 2 (C282)



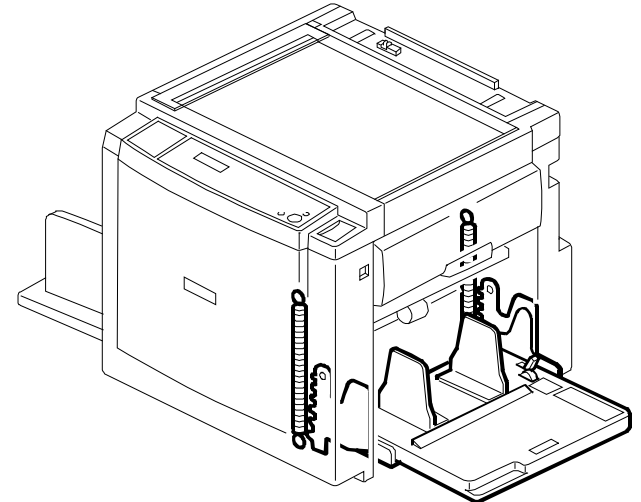
See Page 15

5. Scanner Unit 3 (C282)



See Page 17

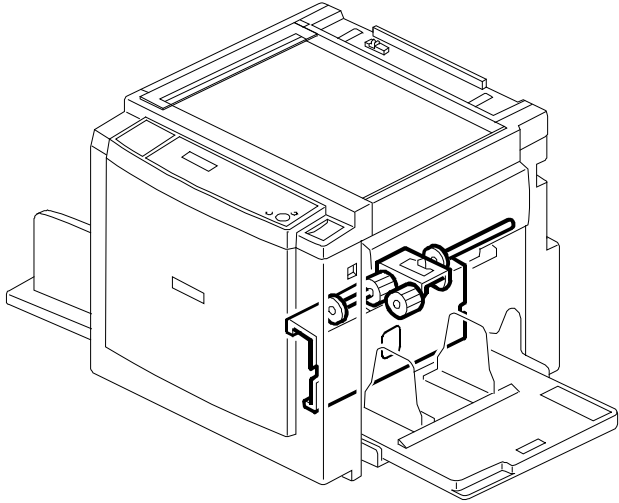
6. Paper Table Section (C282)



See Page 19

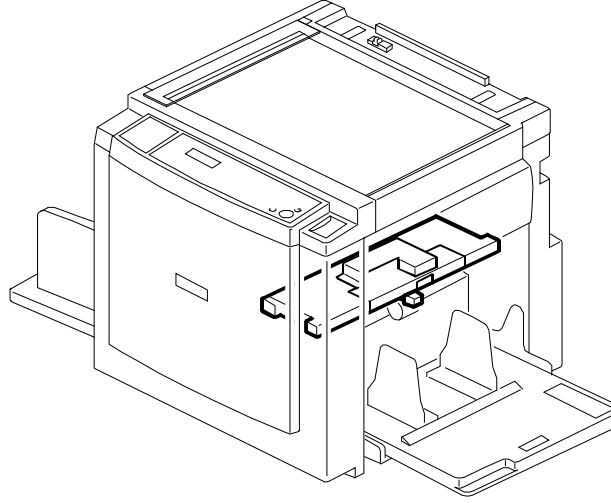
LOCATIONS OF UNITS

7. Paper Registration 1 (C282)



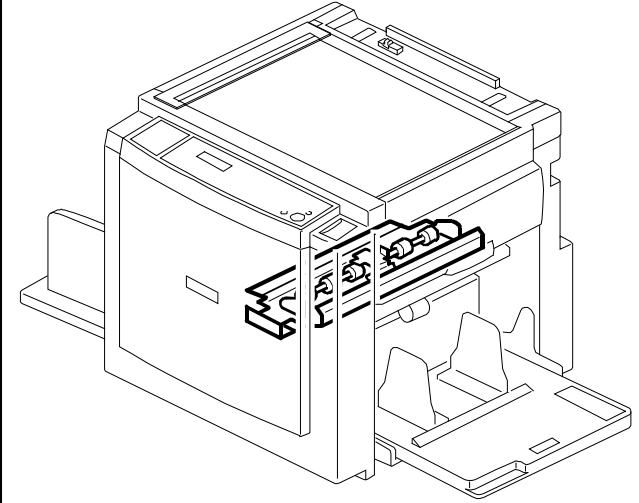
See Page 21

8. Paper Registration 2 (C282)



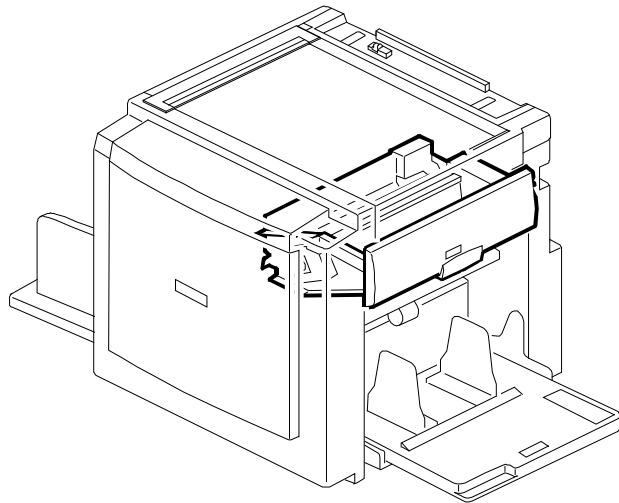
See Page 23

9. Paper Feed Section (C282)



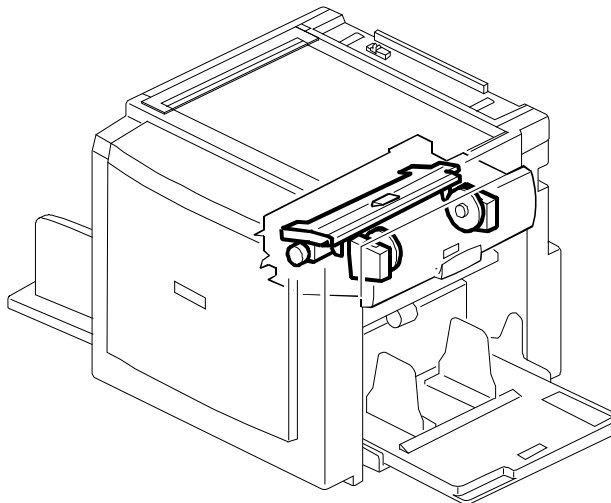
See Page 25

10. Protter Unit 1 (C282)



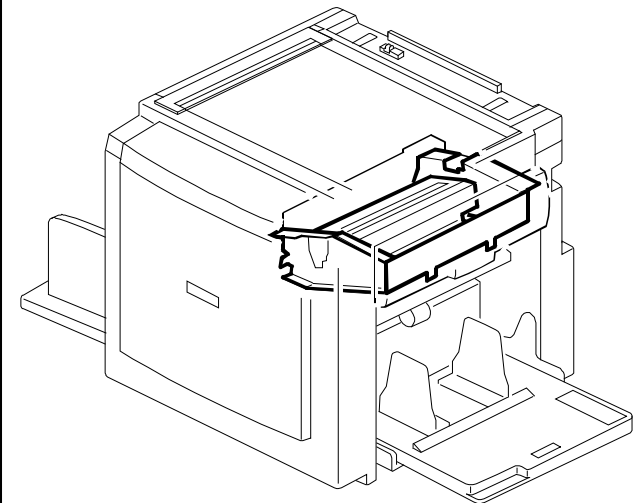
See Page 27

11. Protter Unit 2 (C282)



See Page 29

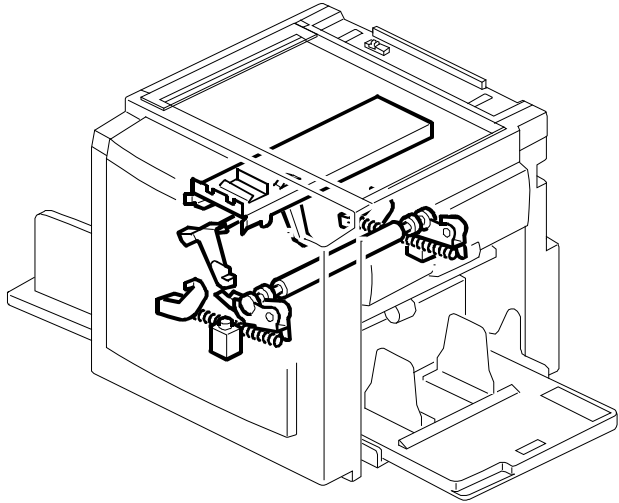
12. Protter Unit 3 (C282)



See Page 31

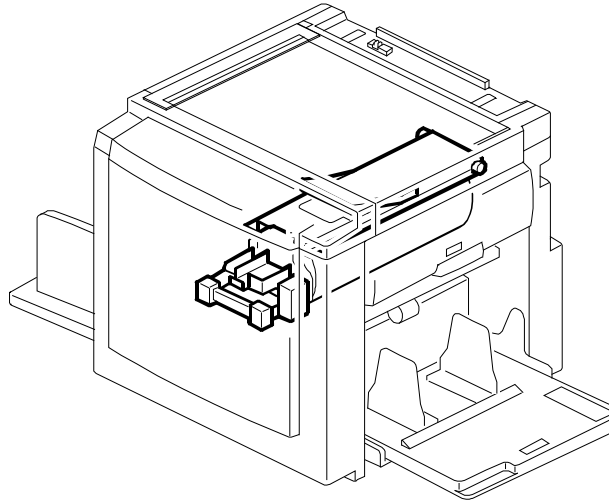
LOCATIONS OF UNITS

13. Press Roller Section (C282)



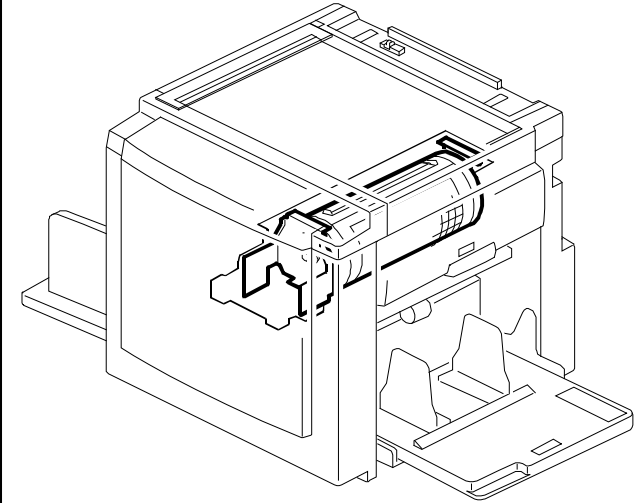
See Page 33

14. Drum Unit 1 (C282)



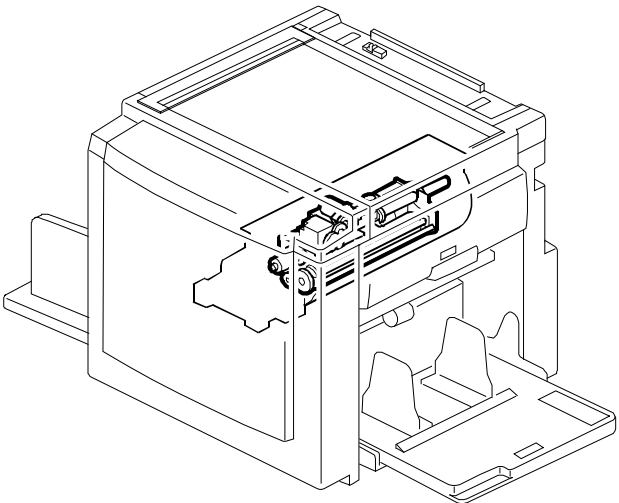
See Page 35

15. Drum Unit 2 (C282)



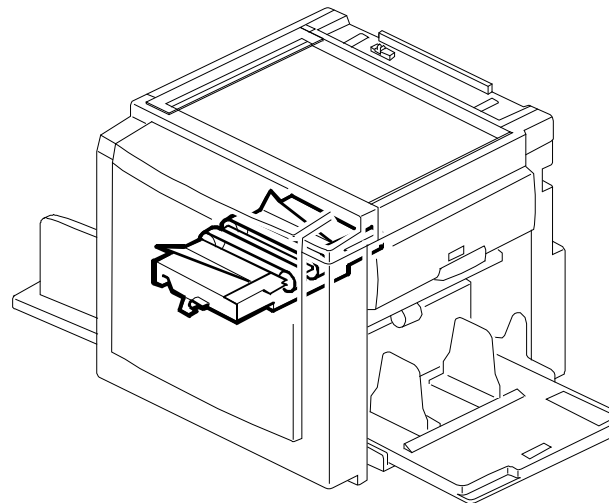
See Page 37

16. Drum Unit 3 (C282)



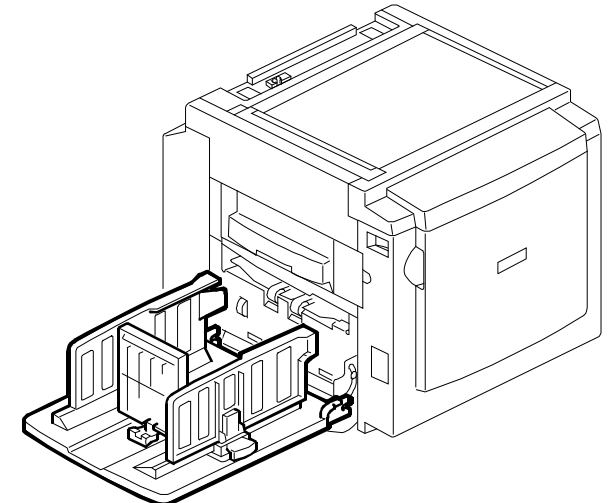
See Page 39

17. Vacuum Fan Unit (C282)



See Page 41

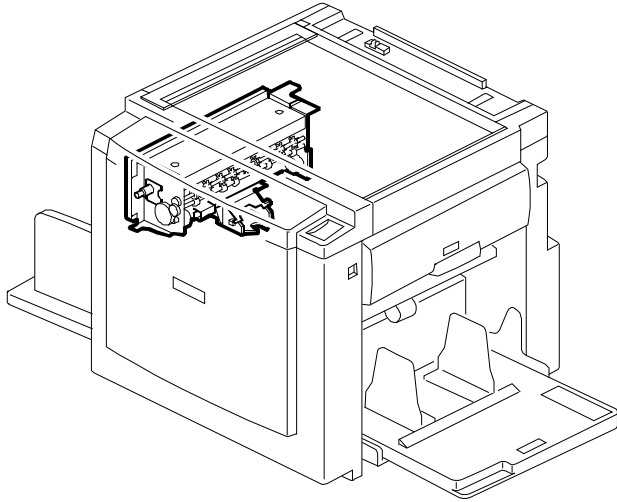
18. Delivery Table (C282)



See Page 43

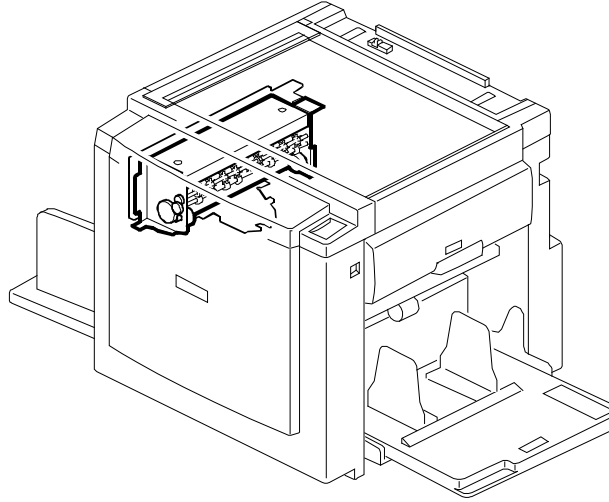
LOCATIONS OF UNITS

19. Master Eject Unit 1 (C282)



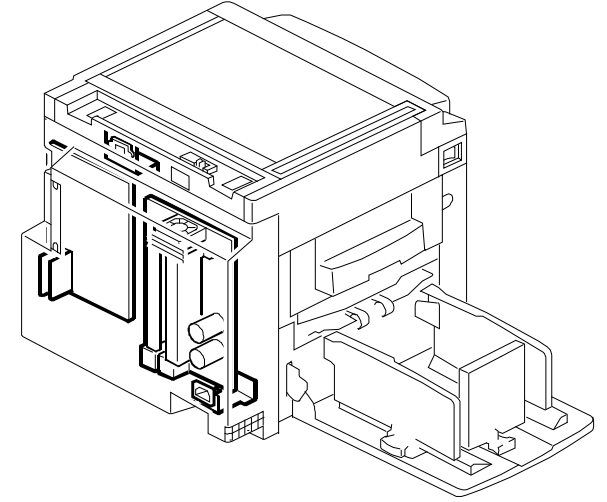
See Page 45

20. Master Eject Unit 2 (C282)



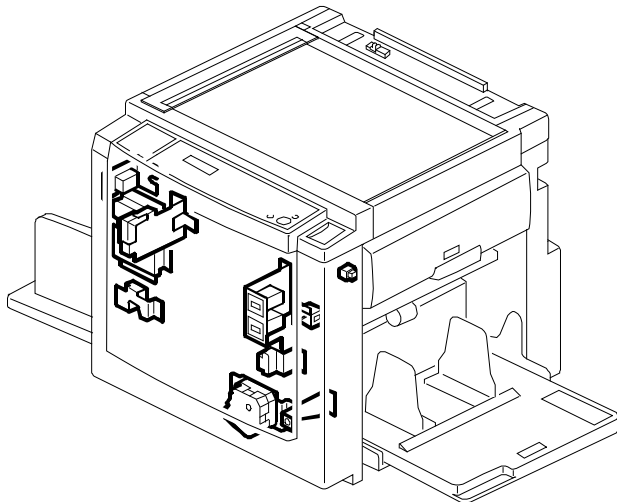
See Page 47

21. Electrical Section 1 (C282)



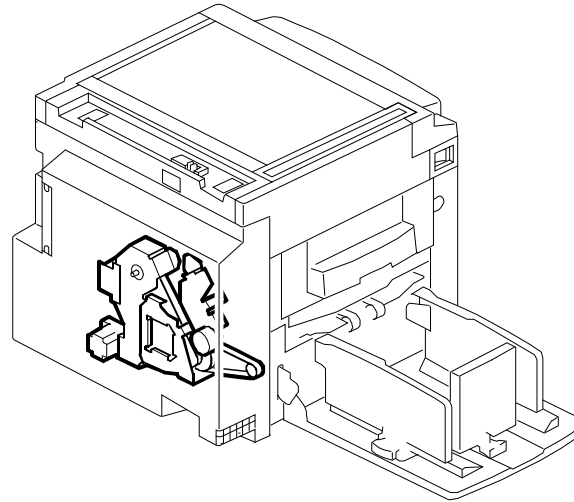
See Page 49

22. Electrical Section 2 (C282)



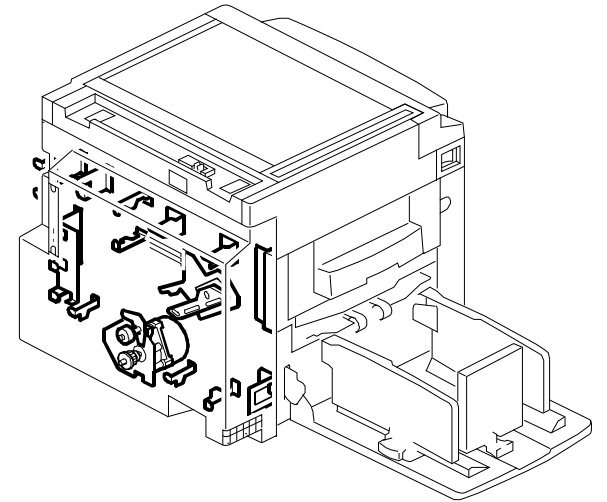
See Page 51

23. Drive Section 1 (C282)



See Page 53

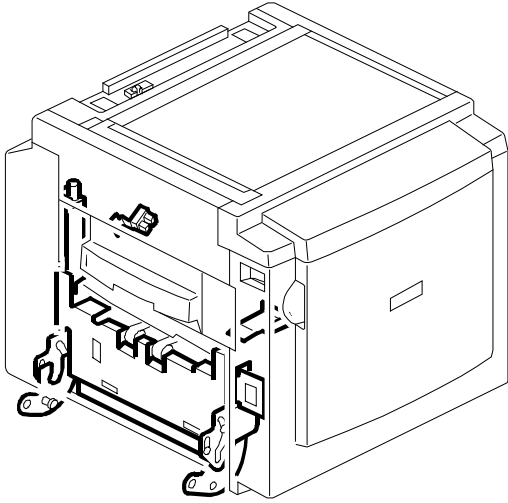
24. Drive Section 2 (C282)



See Page 55

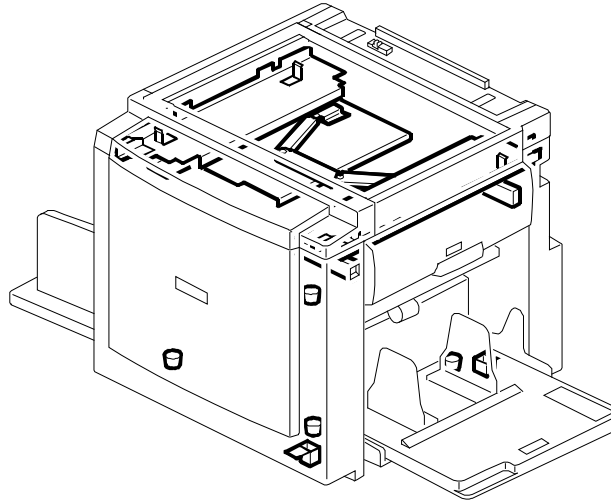
LOCATIONS OF UNITS

25. Frame Section 1 (C282)



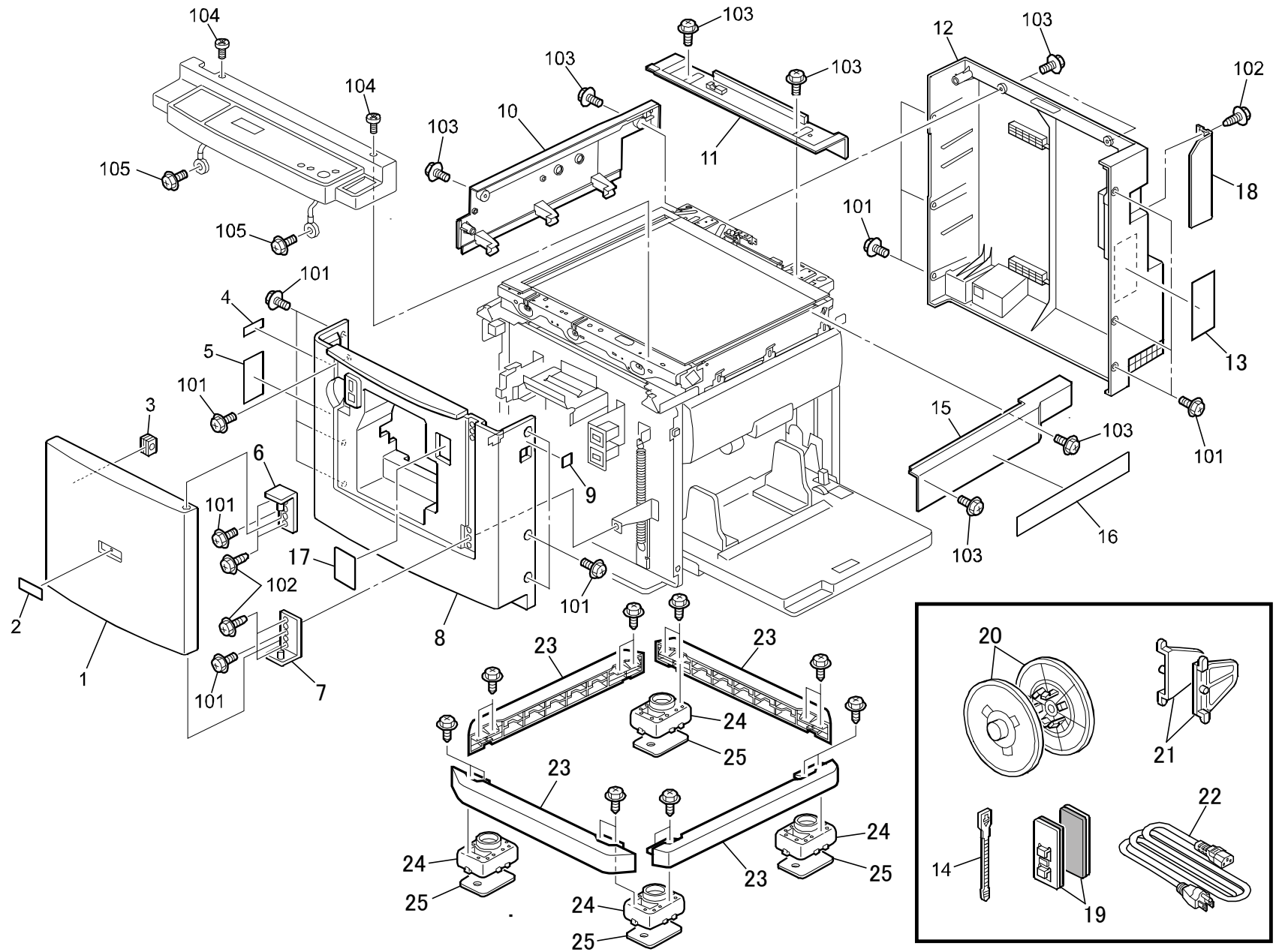
See Page 57

26. Frame Section 2 (C282)



See Page 59

1. Exterior (C282)

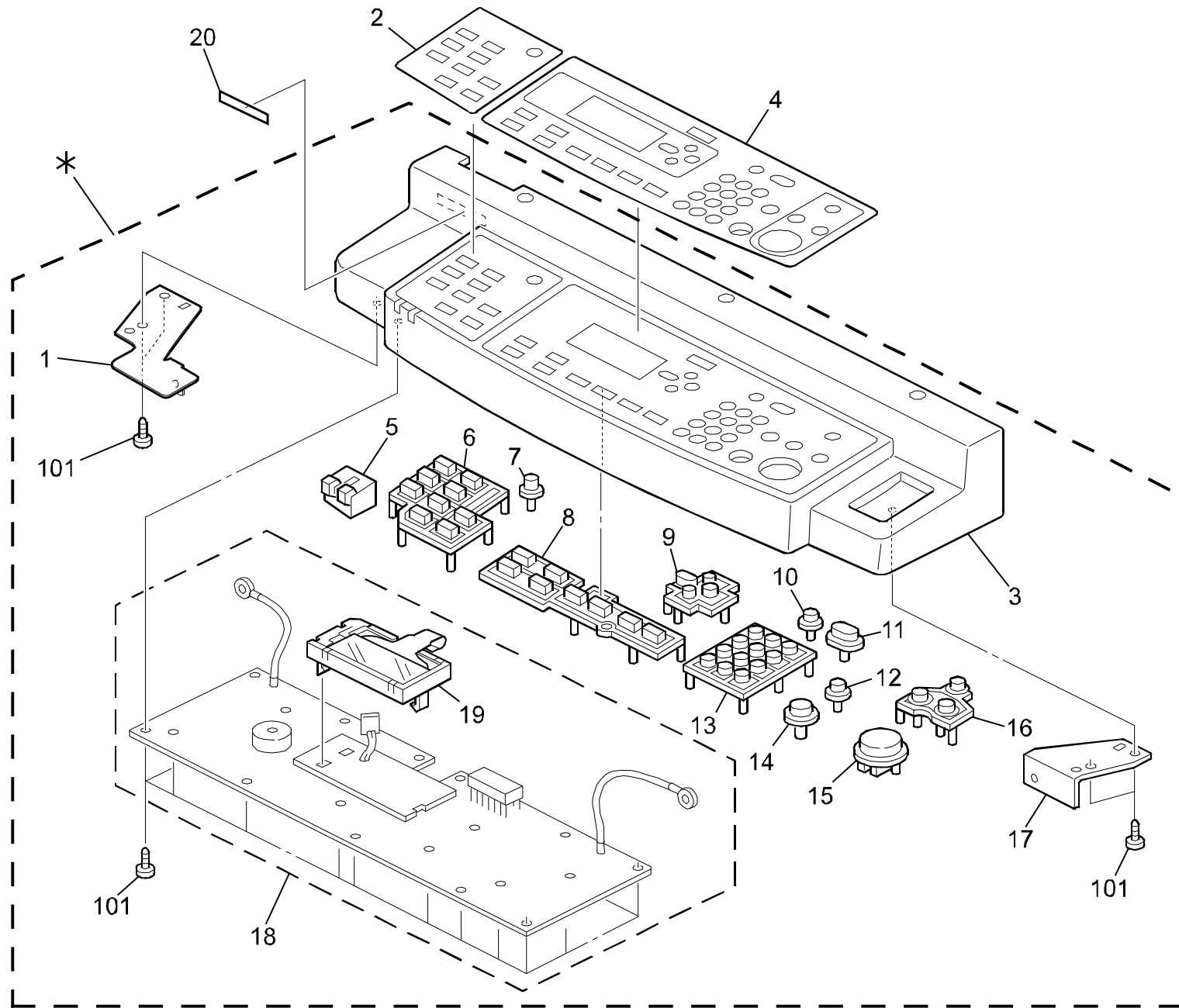


1. Exterior (C282)

Index No.	Part No.	Description	Q'ty Per Assembly
1	C282 1301	Cover:Door	1
2	AA00 1566	Plate:Logotype:SVN	1
2	AA00 1565	Plate:Logotype:LAN	1
2	AA00 1564	Plate:Logotype:RIC	1
2	AA00 1567	Plate:Logotype:GES	1
2	AA00 1568	Plate:Logotype:NSA	1
2	AA00 1569	Plate:Logotype:REX	1
3	AG07 0514	Magnet Catch	1
4	C282 1396	Decal:Main Switch:CHN:PS	1
5	C282 1392	Decal:Warning:Paper Feed:EXP:PS	2
6	C267 1311	Hinge:Door:Upper:Ass'y	1
7	C267 1312	Hinge:Door:Lower:Ass'y	1
8	C282 1302	Cover:Front	1
9	C279 1330	Decal:Paper Feed Tray	1
10	C282 1305	Cover:Left	1
11	C282 1307	Cover:Rear Upper	1
12	C282 1303	Cover:Rear	1
13	C279 1341	Decal:Warning:Paper Feed:EXP	1
14	2803 0006	Cord Binder	1
15	C282 1306	Cover:Right	1
16	C282 1391	Decal:Master Set Instructions:ABS	1
17	C279 1351	Decal:Counter	1
18	C282 1308	Cap:FVLT	1
19	C238 2770	Paper Side Pad	2
20	C238 2243	Master Flange - MH	2
20	C238 2244	Flange:Master:50.8/20	2
21	C282 4493	Guide:Paper:Side Fence	2
22	C261 5822	Power Supply Cord	1
22	C261 5821	Power Supply Cord	1
22	C274 5820	Power Supply Cord	1
23	C282 1060	Cover:Spacer:Main	4
24	C282 1067	Spacer:Main	4
25	C282 1069	Sheet:Spacer:Main:MX-48HF	4

Index No.	Part No.	Description	Q'ty Per Assembly
101	0451 4008N	Tapping Screw:4x8	
102	0450 4010N	Tapping Screw:M4x10	
103	0451 3008N	Tapping Screw - M3x8	
104	0353 0040N	Screw - M3x4	
105	0451 3006N	Tapping Screw - 3x6	

2. Operation Panel (C282)

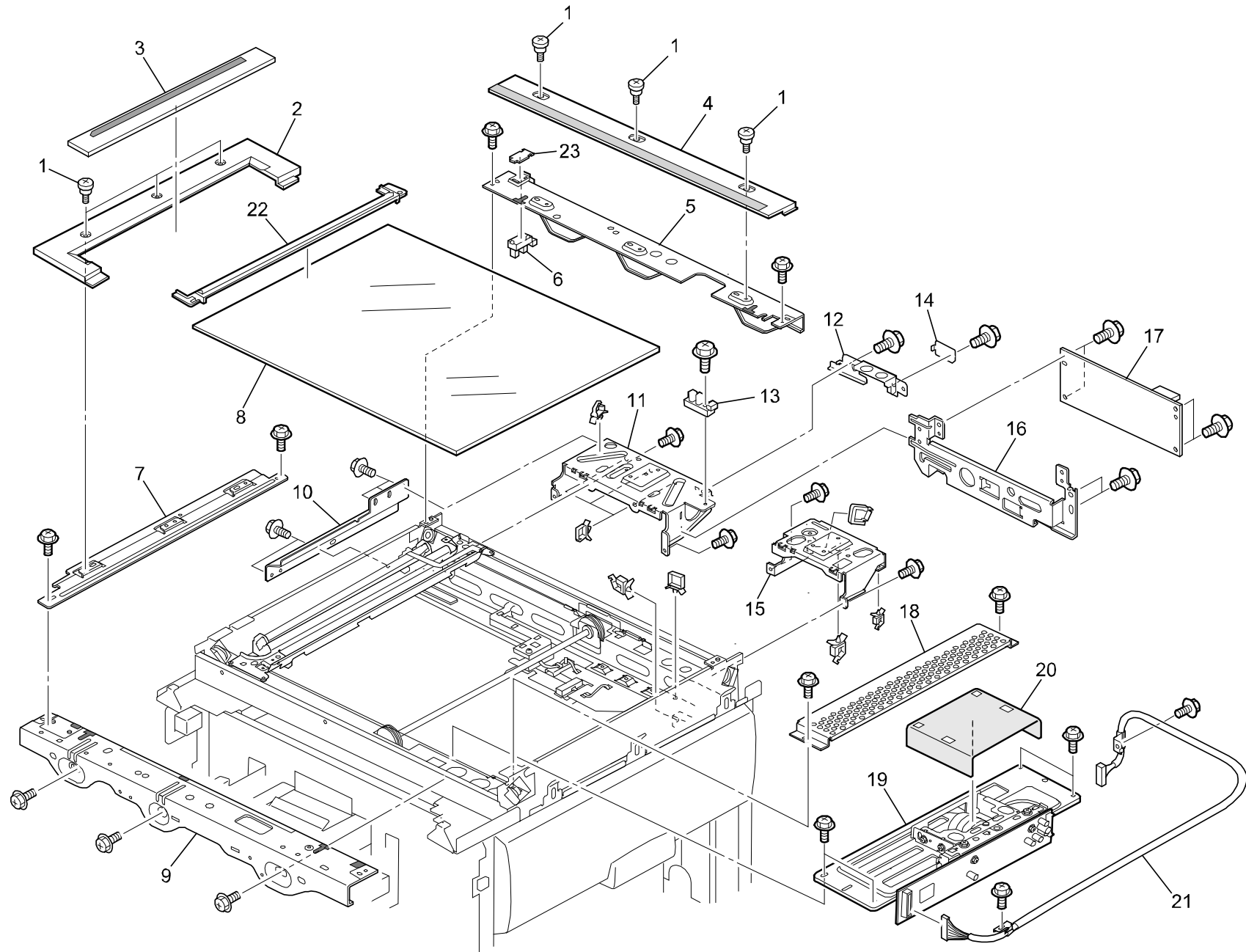


2. Operation Panel (C282)


Index No.	Part No.	Description	Q'ty Per Assembly
*	C282 1451	Operation Panel:EXP:Ass'y	1
1	C282 1486	Bracket:Operation Sub-Unit:Left	1
2	C282 1492	Sheet:Operation Sub-Unit:Left:NA	1
2	C282 1494	Sheet:Operation Sub-Unit:Left:EU	1
2	C282 1496	Sheet:Operation Sub-Unit:Left:CHN	1
3	C282 1460	Case:Operation Sub-Unit	1
4	C282 1491	Sheet:Operation Sub-Unit:Right:NA	1
4	C282 1493	Sheet:Operation Sub-Unit:Right:EU	1
4	C282 1495	Sheet:Operation Sub-Unit:Right:CHN	1
5	C267 1495	Lens:LED:Operation Sub-unit	1
6	C282 1482	Keytop:Memory	1
7	C282 1481	Keytop:Usertool	1
8	C282 1480	Keytop:Magnification	1
9	C282 1479	KEYTOP:Return	1
10	C282 1478	Keytop:Program	1
11	C282 1476	Keytop:Reset	1
12	C282 1474	Keytop:Try Print	1
13	C282 1473	Keytop:Numeric	1
14	C282 1472	Keytop:ClearStop	1
15	C282 1471	Keytop:Start	1
16	C282 1475	Keytop:Continuance	1
17	C267 1497	Bracket:Operation Sub-unit:Right	1
18	C271 5162	PCB:OPE	1
19	B129 1495	LCD	1
20	C282 1382	Decal:Name Plate:STD (NA)	1
20	C282 1383	Decal:Name Plate:DD3334 (NA)	1
20	C282 1384	Decal:Name Plate:DD3344 (EU,AA)	1
20	C282 1385	Decal:Name Plate:DD3324 (EU)	1
20	C282 1386	Decal:Name Plate:CP6303C (CHN)	1
20	C282 1387	Decal:Name Plate:DD3344C (CHN)	1

Index No.	Part No.	Description	Q'ty Per Assembly
101	0452 3008N	Tapping Screw - M3x8	

3. Scanner Unit 1 (C282)

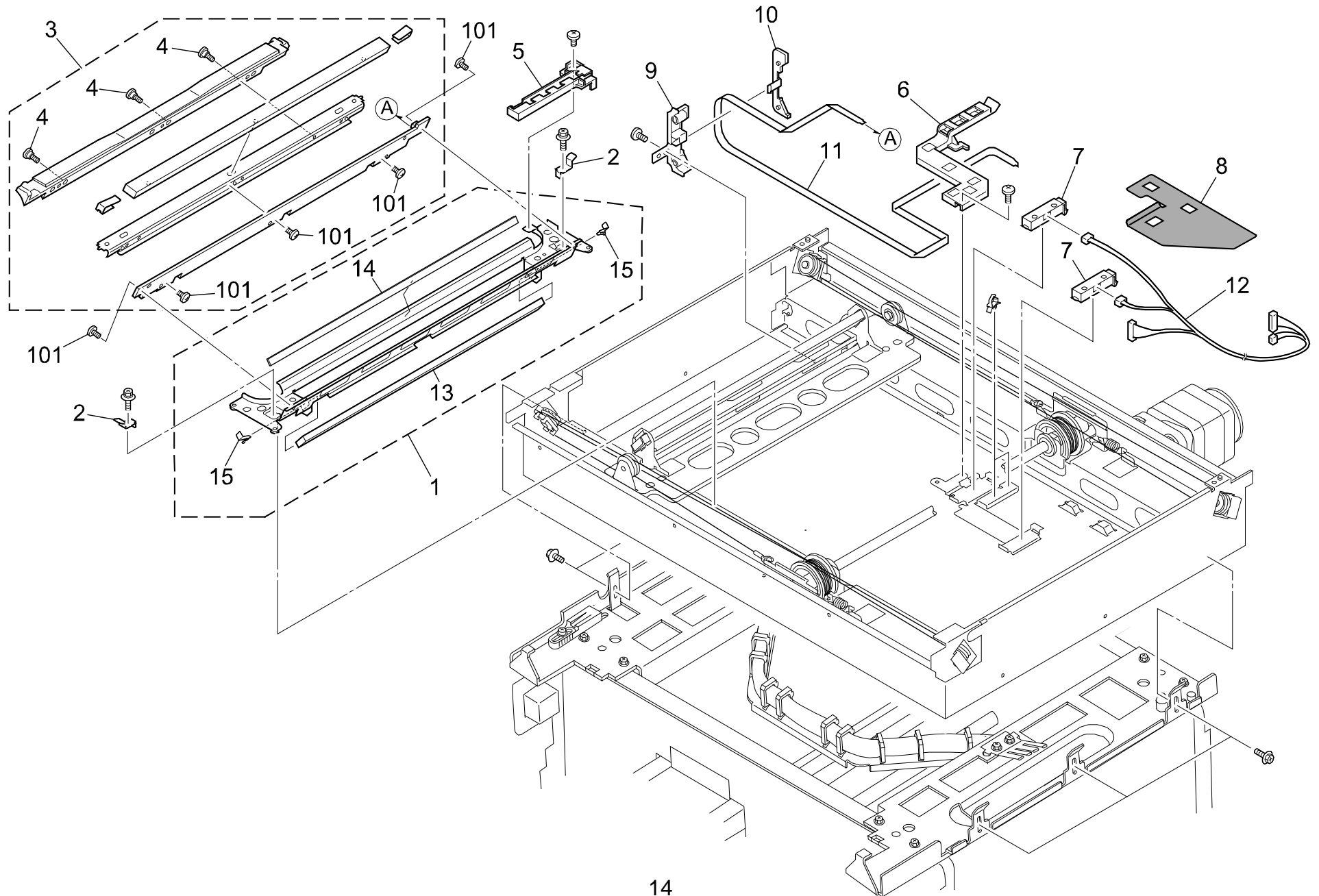


3. Scanner Unit 1 (C282)

Index No.	Part No.	Description	Q'ty Per Assembly
1	D144 1085	Stepped Screw:M3	6
2	C282 1800	Cover:Sheet Through:Document Feeder	1
3	D147 1805	Exposure Glass:Document Feeder:Apply	1
4	C282 1799	Scale:Rear:Printing	1
5	D149 1699	Frame:Scanner:Rear	1
6	AW02 0214	Photointerruptor:LG248NL1A	1
7	D149 1801	Bracket:Scale:Left	1
8	A250 1752	Exposure Glass	1
9	D149 1698	Frame:Scanner:Front	1
10	C282 1066	Bracket:Fix:Scanner Unit:Left	1
11	D158 1816	Bracket:Document Feeder:Left	1
12	D149 1816	Document Feeder:Cable:Bracket	1
13	AW02 0207	Photointerruptor:Flat:PICH2MM:M4	1
14	C282 5123	Supporting Plate:Cable:Document Feeder	1
15	D158 1815	Bracket:Document Feeder:Right	1
16	D149 1817	Bracket:SIO	1
17	D159 5138	PCB:SIO	1
18	D149 1780	Inner Cover	1
19	D149 1771	Lens:Holder:Ass'y	1
20	D149 1782	Cover:Lens	1
21	D159 5301	Interface Cable:Scanner:LVDS:Ass'y	1
22	C282 1792	Scale:Left:EU:Ass'y	1
23	G570 1225	Sensor Shielding Plate	1
			

Index No.	Part No.	Description	Q'ty Per Assembly

4. Scanner Unit 2 (C282)

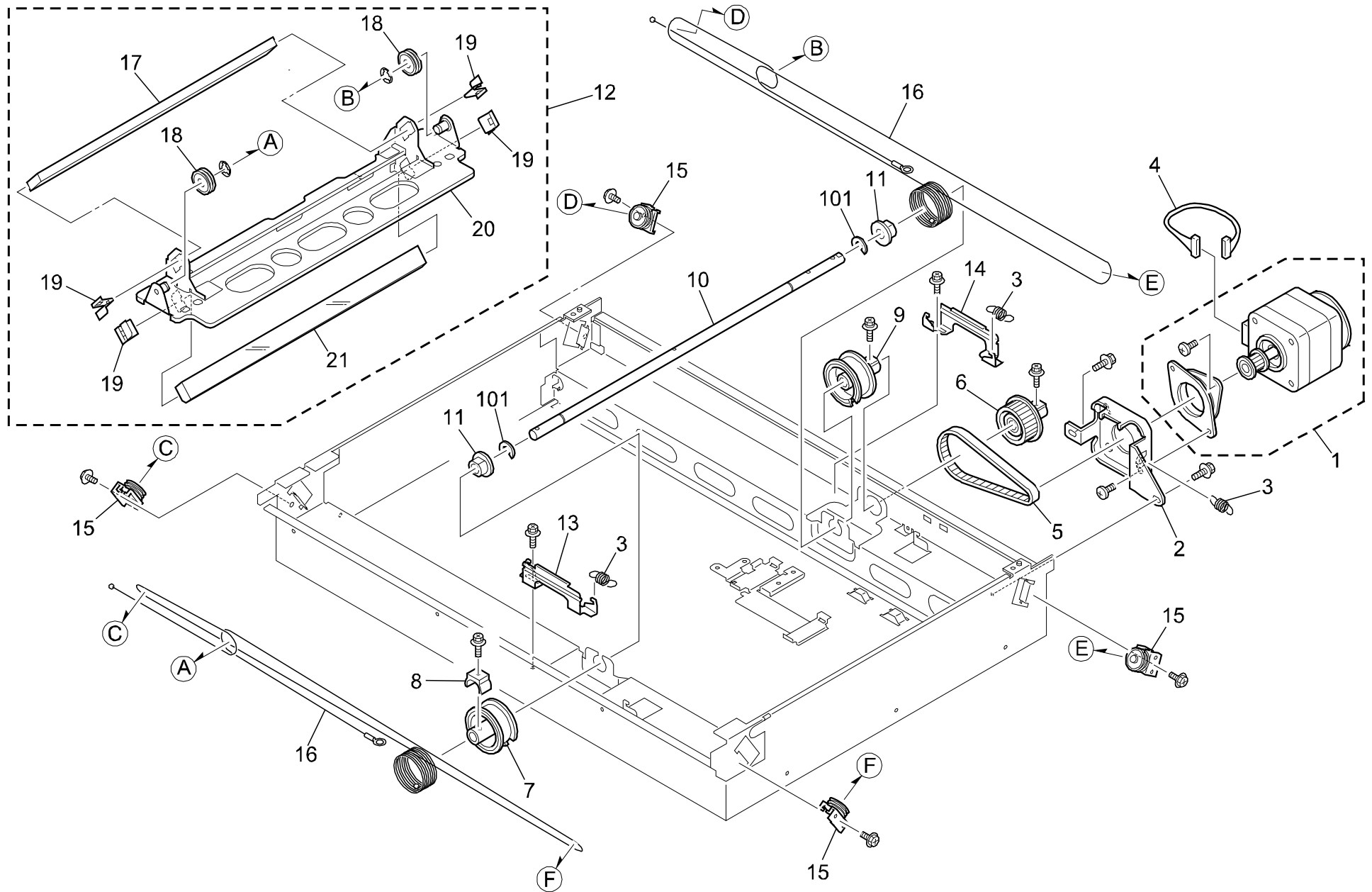


4. Scanner Unit 2 (C282)

Index No.	Part No.	Description	Q'ty Per Assembly
1	D149 1730	Carrige:No.1:Ass'y	1
2	D149 1726	Clamp:Drive Were	2
3	D158 1721	Illumination Unit:LEDB:Ass'y	1
4	AA14 3849	Screw:DIA4:M3	3
5	D149 1728	Guide:Harness:LED-B	1
6	D149 1693	Guide:FFC	1
7	AW01 0155	Original:Sensor:3.3V	2
8	D149 1694	Plate Seal:APS:Harness	1
9	D149 1754	Guide:FFC:Carrige:No.2	1
10	D149 1755	Cover:FFC:Carrige:No.2	1
11	D149 5207	Harness:FFC:LED	1
12	D149 5206	Harness:SIO:Scanner Unit	1
13	AC03 0169	Mirror:No.1	1
14	D149 1731	Reflector:Scanner	1
15	M026 1815	Clamp:Mirror:No.1	2

Index No.	Part No.	Description	Q'ty Per Assembly
101	0353 0060N	Bind Screw - M3X6	

5. Scanner Unit 3 (C282)

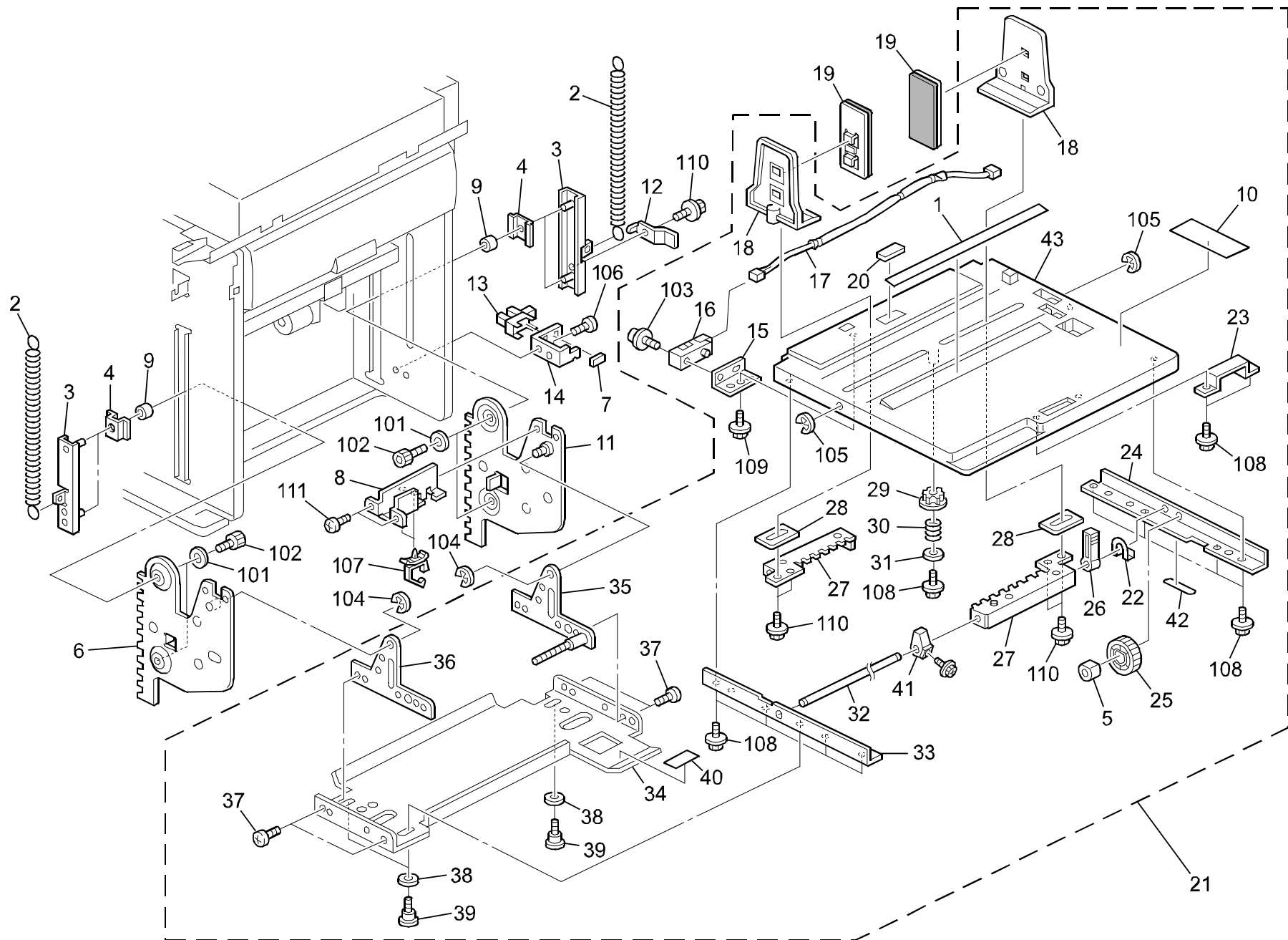


5. Scanner Unit 3 (C282)

Index No.	Part No.	Description	Q'ty Per Assembly
1	D149 1703	DC Stepper Motor	1
2	D149 1705	Bracket:DC Stepper Motor	1
3	D149 1709	Tension Spring:Tension:11.3N:30MM	3
4	D159 5304	Harness:SIO:STM	1
5	D149 1706	Synchronous Belt:138ST1.5-4.0	1
6	D149 1710	Timing Pulley:62	1
7	D149 1715	Pulley:Drive Were:Front	1
8	D029 1749	Pulley:Protction	1
9	D149 1717	Pulley:Drive Were:Rear	1
10	D149 1711	Shaft:Scanner:Drive	1
11	AA08 2144	Busing - 8X12X7	2
12	D159 1740	Carrige:No.2:Ass'y	1
13	D149 1719	Bracket:Tension:Front	1
14	D149 1718	Bracket:Tension:Rear	1
15	B238 1806	Idler Pulley	4
16	D149 1714	Drive Were:DIA1	2
17	AC03 0210	Mirror:No.2:Concave	1
18	B238 1807	Pulley	2
19	G404 2810	Spring Plate – 2nd Mirror	4
20	D149 1742	Carrige:No.2:Sub-Ass'y	1
21	D149 1749	Mirror:No.3:CONVAX:C3	1

Index No.	Part No.	Description	Q'ty Per Assembly
101	0805 0106	Retaining Rings-E:Silencer:DIA6	

6. Paper Table Section (C282)

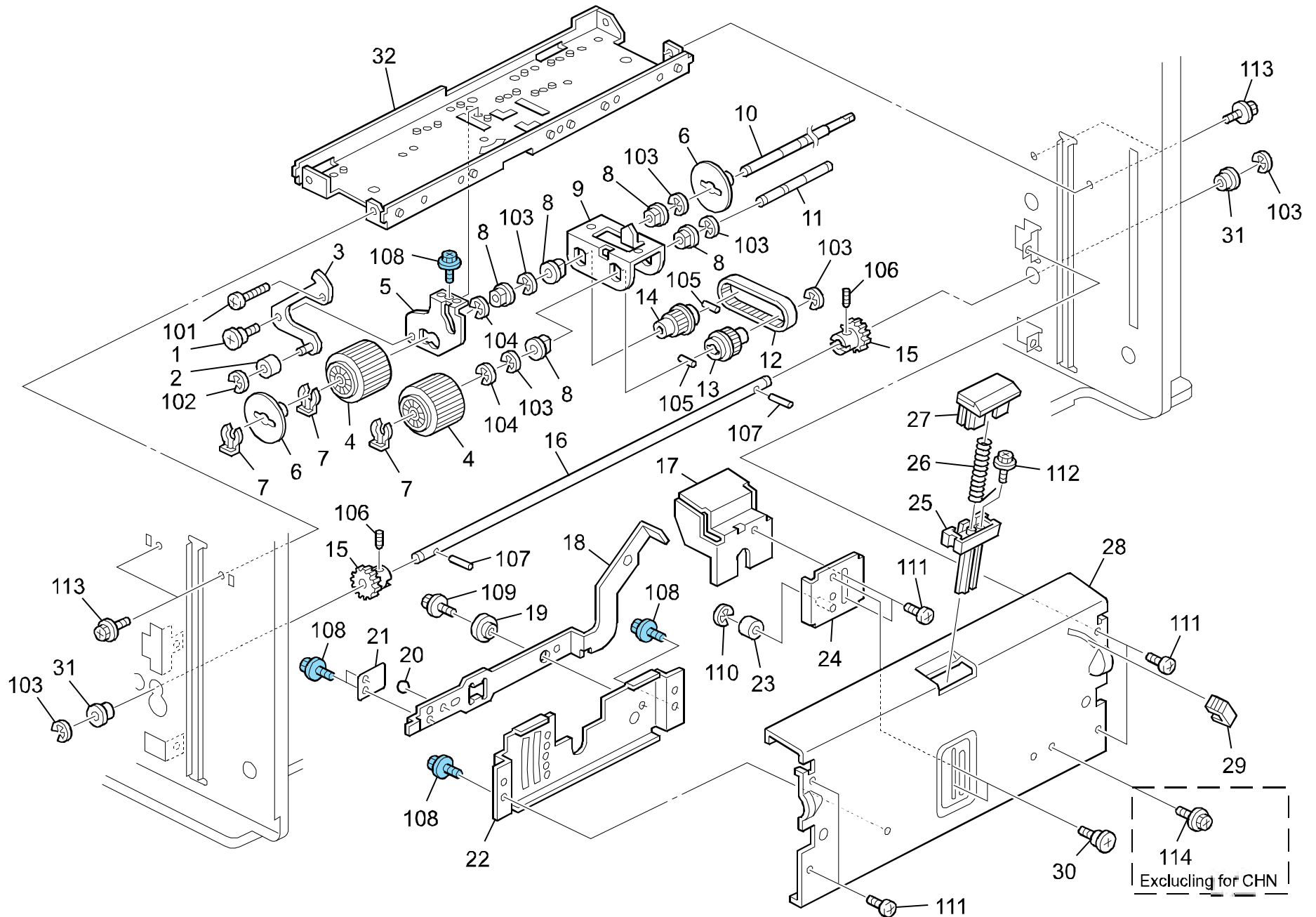


6. Paper Table Section (C282)

Index No.	Part No.	Description	Q'ty Per Assembly
1	C282 2998	Decal:Size Indication:Paper Feed	1
2	C267 2779	Spring:Auxiliary:Rise:Paper Feed Tray	2
3	C238 2800	Tray Lift Bracket	2
4	C238 2805	Tray Lift Slider	4
5	C231 2965	Core	1
6	C267 2790	Rack:Rise:Paper Feed Tray:Front:Ass'y	1
7	G570 1225	Sensor Shielding Plate	1
8	C267 2793	Stay:Harness:Sensor:Paper	1
9	5606 2310	Roller	4
10	C279 2996	Dacal:Paper Set Direction	1
11	C267 2796	Rack:Rise:Paper Feed Tray:Rear:Ass'y	1
12	C238 2806	Tray Position Feeler	1
13	AW02 0203	Photointerruptor	1
14	C238 2825	Sensor Bracket	1
15	C238 2986	Sensor Bracket - Paper Feed Tray	1
16	AW01 0109	Photo Reflection Sensor:PS117ED1	1
17	C282 5271	Harness:Paper Feed Tray:Ass'y	1
18	C282 2980	Side Fence:Paper Feed Tray	2
19	C238 2770	Paper Side Pad	2
20	C249 2840	Paper Feed Tray Pad	1
21	C2822710	Paper Feed Tray:Ass'y	1
22	C249 2790	Spring Plate:Spacer:Paper Feed Tray	1
23	C267 2758	Plate:Magnet Catch:Paper Feed Tray	1
24	C267 2754	Stay:Paper Feed Tray:Rear	1
25	C279 2964	Adjusting Pin:Front Rear:Paper Feed Tray	1
26	C279 2973	Knob:Lock:Side Fence	1
27	C238 2981	Rear Side Fence Rack	2
28	C267 2983	Spacer:Side Fence	2
29	C238 2987	Side Fence Gear	1
30	C231 2985	Spring	1
31	C267 6168	Washer:Slide:End Fence	1
32	C267 2770	Shaft:Lock:Side Fence	1
33	C267 2753	Stay:Paper Feed Tray:Front	1
34	C267 2756	Base:Paper Feed Tray	1
35	C267 2761	Arm:Rear:Paper Feed Tray:Peen	1

Index No.	Part No.	Description	Q'ty Per Assembly
36	C267 2760	Arm:Front:Paper Feed Tray	1
37	C244 1098	Pan Head Screw:Lock:M4x4	4
38	C231 2976	Washer	3
39	C612 1800	Screw:Lens:Guide	3
40	C282 2967	Decal:Adjustment Scale:Move:Paper Feed	1
41	C231 2971	Lock Cam	1
42	C249 2944	Table Sheet	1
43	C282 2752	Paper Feed Tray	1
101	0701 0040N	Washer:DIA4	
102	0594 0080N	Hexagonal Set Screw - M4x8	
103	0951 3012N	Screw:Polished Round:M3x12	
104	0720 0060E	Retaining Ring - M6	
105	0720 0040E	Retaining Ring - M4	
106	0314 0040N	Pan Head Screw - M4x4	
107	1105 0534	Clamp	
108	0450 4008N	Tapping Screw - M4x8	
109	0450 3008N	Tapping Screw - M3x8	
110	0450 3006N	Tapping Screw - M3x6	

7. Paper Registration 1 (C282)

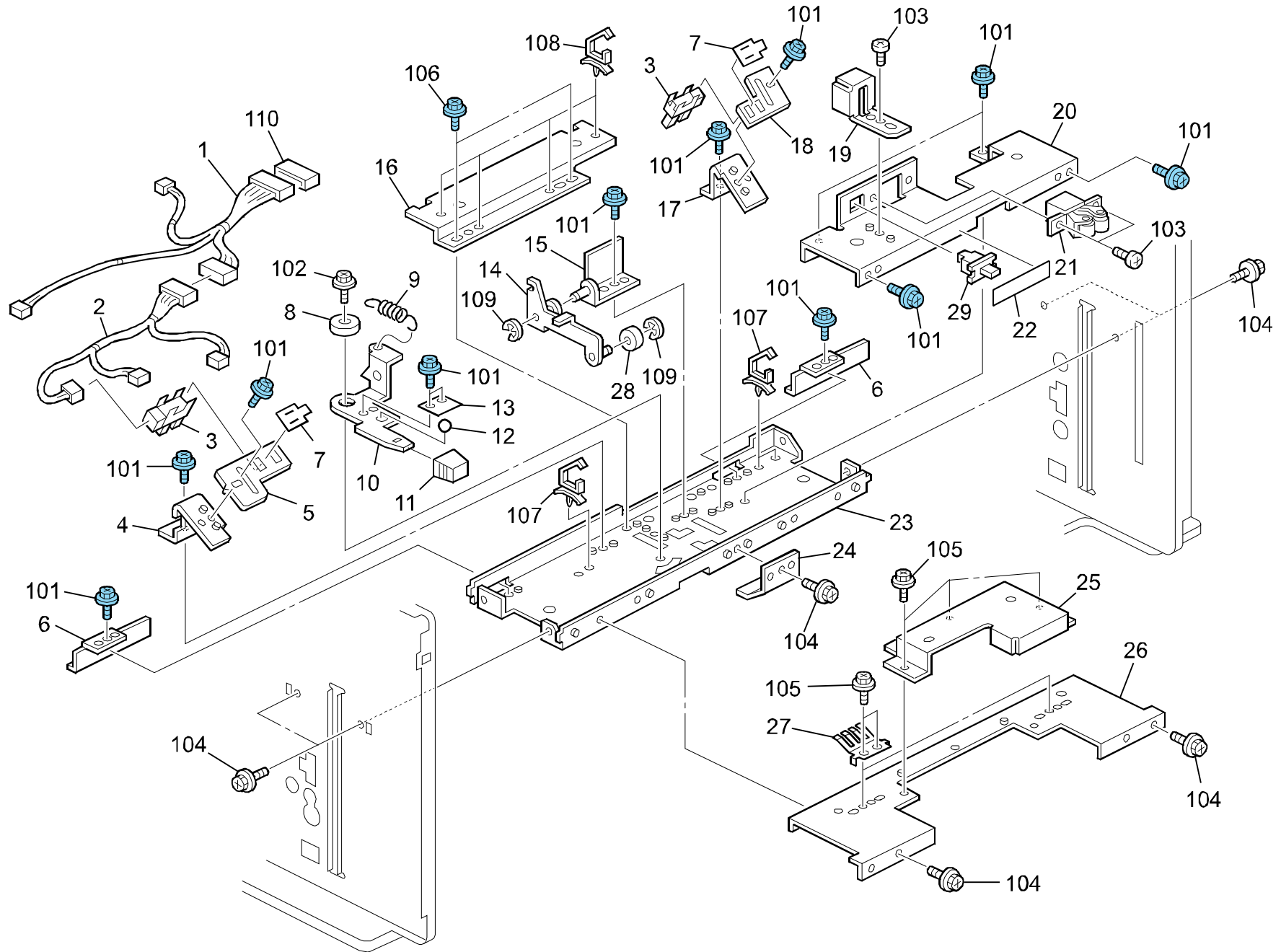


7. Paper Registration 1 (C282)

Index No.	Part No.	Description	Q'ty Per Assembly
1	C267 2944	Screw:Actuator:Surface Of Paper Sensor	1
2	C257 2869	Feeler Roller	1
3	C267 2941	Actuator:Surface Of Paper Sensor:Peen	1
4	C267 2802	Roller:Paper Feed:Ass'y	2
5	C267 2917	Retainer:Arm:Paper Feed	1
6	5606 2066	Paper Feed Guide Disc	2
7	C252 2810	Grip Rings:Mm8	3
8	C252 1080	Bushing	5
9	C267 2806	Arm:Paper Feed	1
10	C271 2808	Shaft:Paper Feed Roller	1
11	C271 2809	Shaft:Pickup	1
12	C267 2813	Timing Belt:B82MXL6.4	1
13	C267 2812	Pulley:Pickup:Paper Feed	1
14	C267 2811	Pulley:Drive:Roller:Paper Feed	1
15	C201 5051	Pinion - 24T	2
16	C267 2781	Shaft:Rise:Paper Feed Tray	1
17	C267 2827	Adjusting Pin:Separation Sub-unit	1
18	C267 2845	Lever:Separation Change	1
19	C209 5220	Spacer - 4x20x6	1
20	5501 8195	Steel Ball 3/16	1
21	C238 2929	Spring Plate	1
22	C267 2844	Bracket:Separation Change	1
23	C231 2922	Pressure Roller	1
24	C261 2835	Adjusting Pin	1
25	C261 2831	Holder:Spring:Separation	1
26	C261 2832	Compression Spring:Separation Pad	1
27	C267 2819	Separation Pad:Ass'y (EU, AA, NA)	1
27	C267 2820	Separation Pad:CHN:Ass'y (CHN)	1
28	C267 2824	Drum Stay:Paper Feed:Ass'y	1
29	C279 2932	Knob:Lever	1
30	C261 2844	Screw:Separation Unit	2
31	C203 5135	Bushing - 10x14x5.9	2
32	C267 2916	Stay:Paper Feed	1

Index No.	Part No.	Description	Q'ty Per Assembly
101	0353 0120N	Screw M3x12	
102	0720 0030E	Retaining Ring - M3	
103	0720 0080E	Retaining Ring - M8	
104	0720 0070E	Retaining Ring - M7	
105	0633 0160G	Parallel Pin - 3x16mm	
106	0574 0040E	Hexagon Headless Set Screw - M4x4	
107	0624 0160E	Spring Pin - 4x16mm	
108	0454 3006Q	Tapping Screw - M3x6	
109	0451 4010N	Tapping Screw:4x10	
110	0720 0040E	Retaining Ring - M4	
111	0314 0040N	Pan Head Screw - M4x4	
112	0450 3006N	Tapping Screw - M3x6	
113	0451 4006N	Tapping Screw - 4x6	
114	0451 4008N	Tapping Screw:4x8	

8. Paper Registration 2 (C282)

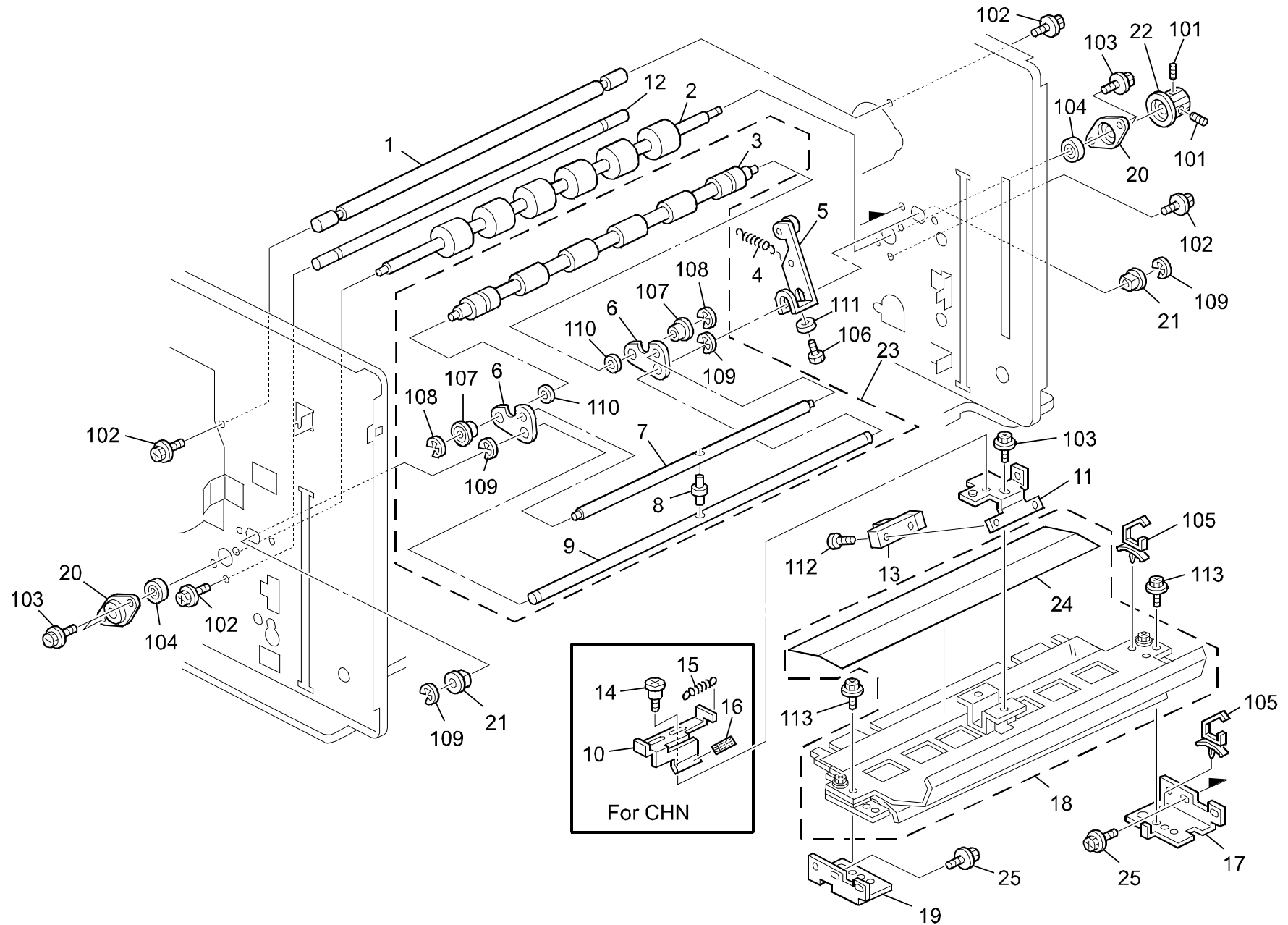


8. Paper Registration 2 (C282)

Index No.	Part No.	Description	Q'ty Per Assembly
1	C282 5273	Harness:Connecting:Stay:Plotter:Ass'y	1
2	C282 5272	Harness:Stay Ass'y	1
3	AW02 0141	Photointerruptor	2
4	C267 2946	Bracket:Surface Of Paper Sensor	1
5	C267 2947	Holder:Surface Of Paper Sensor	1
6	C267 2953	Cover:Inner Back:Stay:Paper Feed	2
7	G570 1225	Sensor Shielding Plate	2
8	C209 5220	Spacer - 4x20x6	1
9	C238 2939	Spring	1
10	C267 2924	Lever:Pressure:Paper Feed Roller	1
11	C279 2932	Knob:Lever	1
12	5501 8195	Steel Ball 3/16	1
13	C238 2929	Spring Plate	1
14	C267 2931	Arm:Pressure:Paper Feed:Peen	1
15	C238 2936	Arm Bracket	1
16	C267 2918	Bracket:Stay:Paper Feed	1
17	C267 2951	Bracket:Arm:Surface Of Paper Sensor	1
18	C267 2952	Holder:Surface Of Paper Sensor	1
19	C267 2992	Cover:On Off Detector:Plotter:Lower Middle	1
20	C267 2993	Bracket:On Off Detector:Right Lower: Machine Or Copier:2	1
21	C267 2994	Holder:Lock:Plotter	1
22	C282 2995	Decal:Paper Feed Pressure:English	1
22	C267 2996	Decal:Paper Feed Pressure:CHN	1
23	C267 2916	Stay:Paper Feed	1
24	C267 2816	Stopper:Arm	1
25	C267 2956	Cover:Auxiliary:Harness:Stay:Paper Feed	1
26	C267 2954	Cover:Harness:Stay:Paper Feed	1
27	C267 2958	Ground Plate:Cover:Stay:Paper Feed	2
28	C231 2922	Pressure Roller	1
29	G020 5626	Push Switch	1

Index No.	Part No.	Description	Q'ty Per Assembly
101	0454 3006Q	Tapping Screw - M3x6	
102	0451 4010N	Tapping Screw:4x10	
103	0353 0060N	Bind Screw - M3x6	
104	0451 4006N	Tapping Screw - 4x6	
105	0453 3006N	Tapping Screw - M3x6	
106	0454 4006Q	Tapping Screw:4x6	
107	1105 0516	Clamp	
108	1105 0511	Harness Clamp - LWS-0306ZC	
109	0720 0040E	Retaining Ring - M4	
110	1102 8797	Connector:1-292215-4	

9. Paper Feed Section (C282)

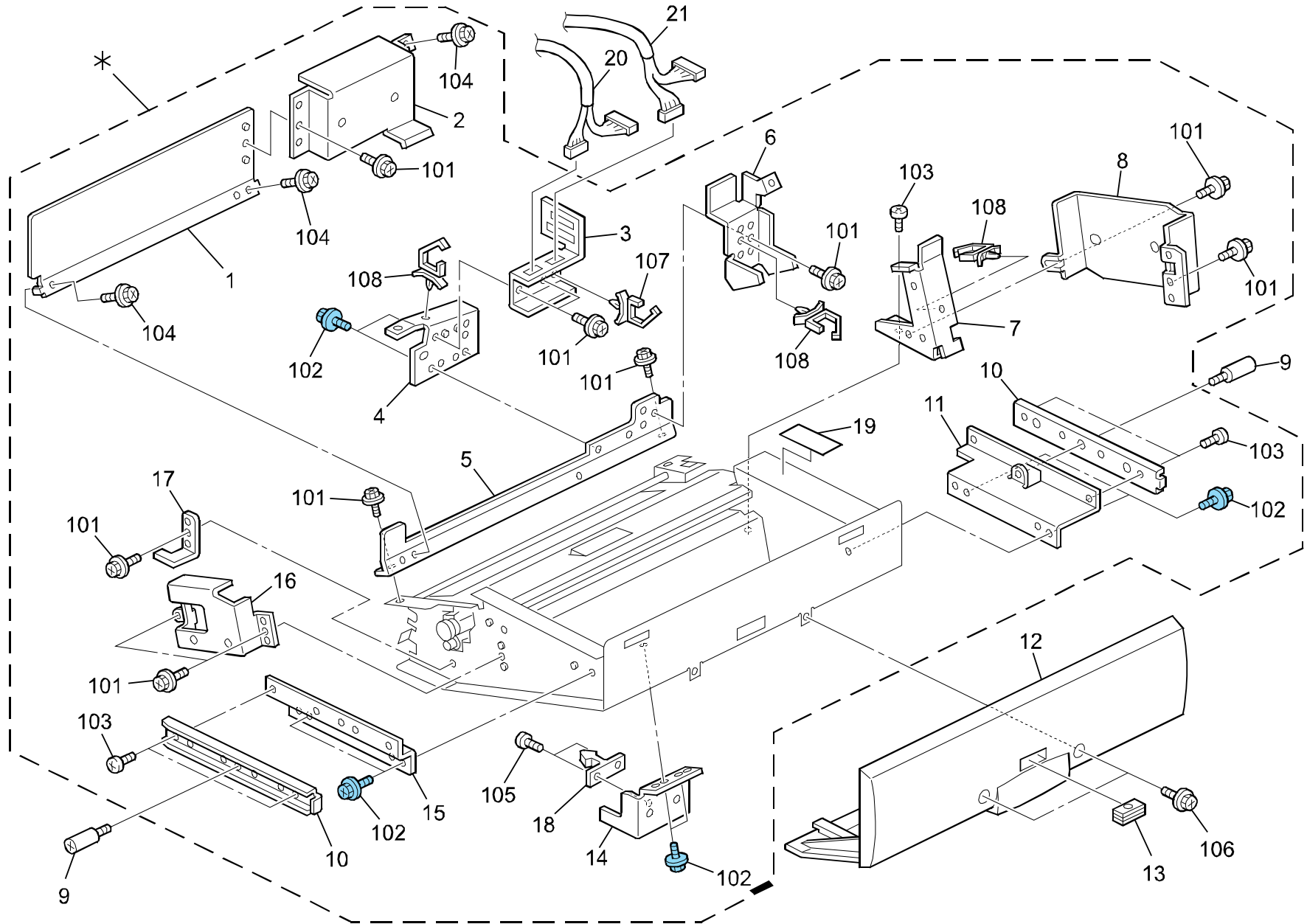


9. Paper Feed Section (C282)

Index No.	Part No.	Description	Q'ty Per Assembly
1	C267 1056	Shaft:Stay:Machine Or Copier:DIA12	1
2	C261 2881	Feed Roller:Lower	1
3	C238 2894	Upper Registration Roller	1
4	C252 2878	Spring:Pressure:Feed Roller	1
5	C261 2875	Arm:Pressure:Feed Roller:Ass'y	1
6	C275 2895	Arm:Feed Roller:Upper	2
7	C264 2898	Shaft:Arm:Feed Roller:Upper	1
8	C231 2766	Pressure Pin	1
9	C261 2872	Shaft:Swivel:Feed Roller:Upper	1
10	C272 2855	Lever:Cleanner:Registration Sensor (CHN)	1
11	C238 2921	Registration Sensor Bracket	1
12	C261 1056	Shaft:Stay:Machine Or Copier	1
13	C257 5807	Photo Reflection Sensor:GP2A25	1
14	C261 2844	Screw:Separation Unit (CHN)	1
15	C238 2853	Sensor Cleaning Spring (CHN)	1
16	C238 2856	Sensor Cleaning Brush (CHN)	1
17	C275 2870	Bracket:Guide Plate:Rear	1
18	C267 2896	Guide Plate:Feed Roller:Ass'y	1
19	C275 2869	Bracket:Guide Plate:Front	1
20	C267 2267	Bearing Case:Transmission	2
21	C252 1080	Bushing	2
22	C229 2907	Registration Roller Pulley - 14Z	1
23	C275 2871	Feed Roller:Upper:Ass'y	1
24	C267 2897	Sheet:Guide Plate:Feed Roller:Upper	1
25	C275 2898	Screw:M4x6	2

Index No.	Part No.	Description	Q'ty Per Assembly
101	0574 0050E	Hexagon Headless Set Screw - M4x5	
102	0451 4006N	Tapping Screw - 4x6	
103	0451 3006N	Tapping Screw - 3x6	
104	0740 3008	Ball Bearing - 8x22x7	
105	1105 0511	Harness Clamp - LWS-0306ZC	
106	0594 0080N	Hexagonal Set Screw - M4x8	
107	0741 3706	Ball Bearing - 6x10x3	
108	0720 0040E	Retaining Ring - M4	
109	0720 0080E	Retaining Ring - M8	
110	0701 0060N	Washer DIA6	
111	0701 0040N	Washer:DIA4	
112	0453 3006N	Tapping Screw - M3x6	
113	0451 4008N	Tapping Screw:4x8	

10. Plotter Unit 1 (C282)

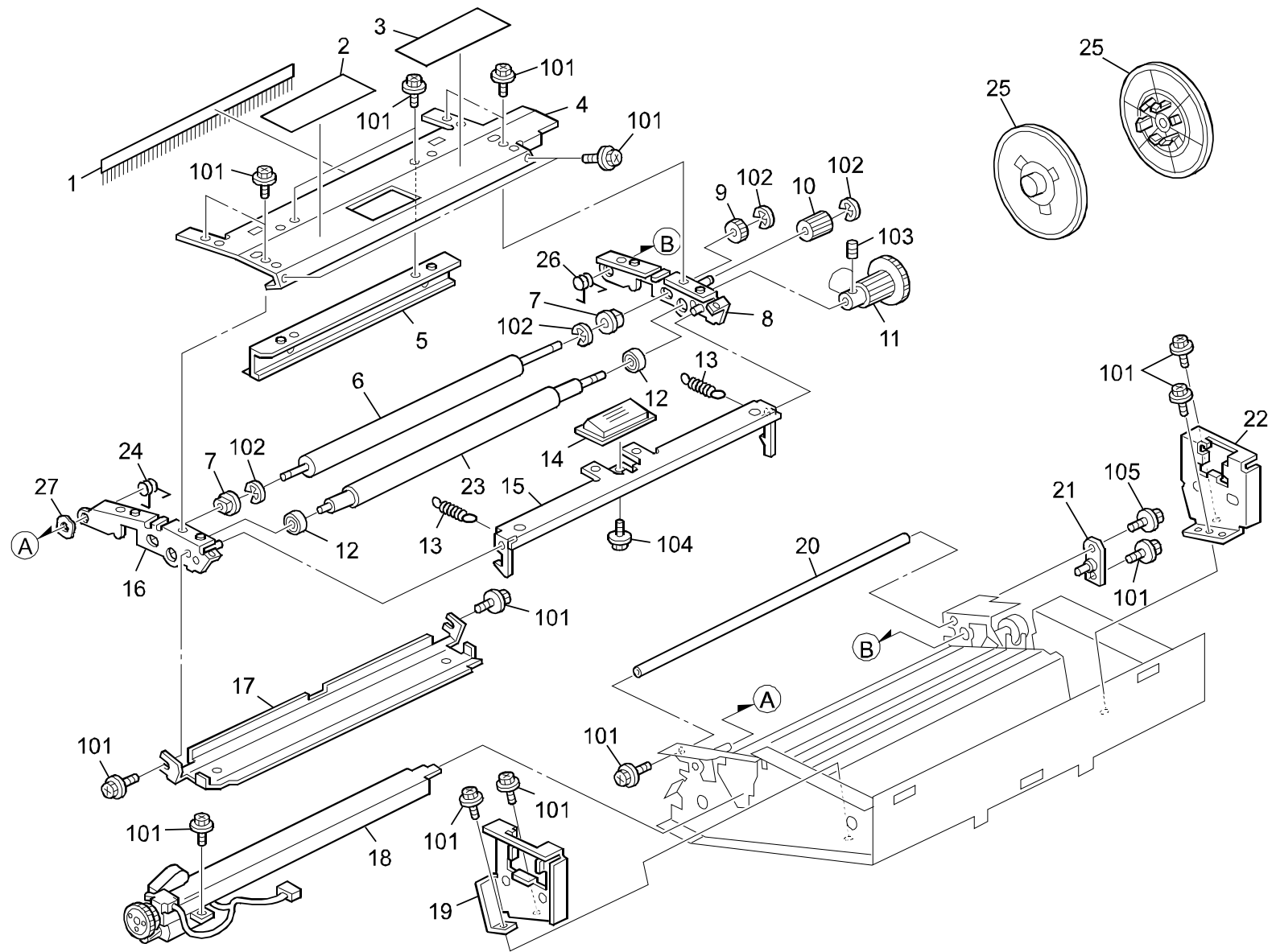


10. Plotter Unit 1 (C282)

Index No.	Part No.	Description	Q'ty Per Assembly
*	C282 1905	Plotter:Fix:B4:Ass'y	1
*	C282 1911	Plotter:UNI:LG	1
1	C267 2167	Cover:Harness:Left	1
2	C267 2164	Cover:Harness:Exit:Upper:Plotter	1
3	C267 2174	Bracket:Connector:Plotter	1
4	C267 2182	Bracket:Harness:Left Inner Rear:Plotter	1
5	C267 2173	Cover:Upper:Plotter:2	1
6	C267 2165	Cover:Harness:Exit:Lower:Plotter	1
7	C267 2161	Bracket:Harness:Rear:Plotter	1
8	C267 2177	Cover:Rear:Plotter	1
9	C267 1994	Stopper:Rail:Plotter:Middle	2
10	C267 2186	Slide Rail:Plotter:Inner	2
11	C267 2160	Bracket:Slide Rail:Plotter:Rear	1
12	C282 1304	Cover:Plotter	1
13	AG07 0514	Magnet Catch	1
14	C267 2288	Bracket:On Off Detector:Lower:Plotter:2	1
15	C267 2170	Bracket:Slide Rail:Plotter:Front	1
16	C267 2178	Cover:Front:Plotter	1
17	C267 2166	Bracket:On Off Detector Board:Upper:Plotter	1
18	A659 1272	Door Catch	1
19	C282 1331	Decal:Master Set Instructions:Stopper Guide	1
20	C282 5242	Harness:Connecting:Plotter:Ass'y	1
21	C282 5244	Harness:Connecting:Plotter:2:Ass'y	1

Index No.	Part No.	Description	Q'ty Per Assembly
101	0451 3006N	Tapping Screw - 3x6	
102	0454 3006Q	Tapping Screw - M3x6	
103	0353 0040N	Screw - M3x4	
104	0451 4006N	Tapping Screw - 4x6	
105	0353 0060N	Bind Screw - M3x6	
106	0451 4008N	Tapping Screw:4x8	
107	1105 0534	Clamp	
108	1105 0488	Harness Clamp	

11. Plotter Unit 2 (C282)

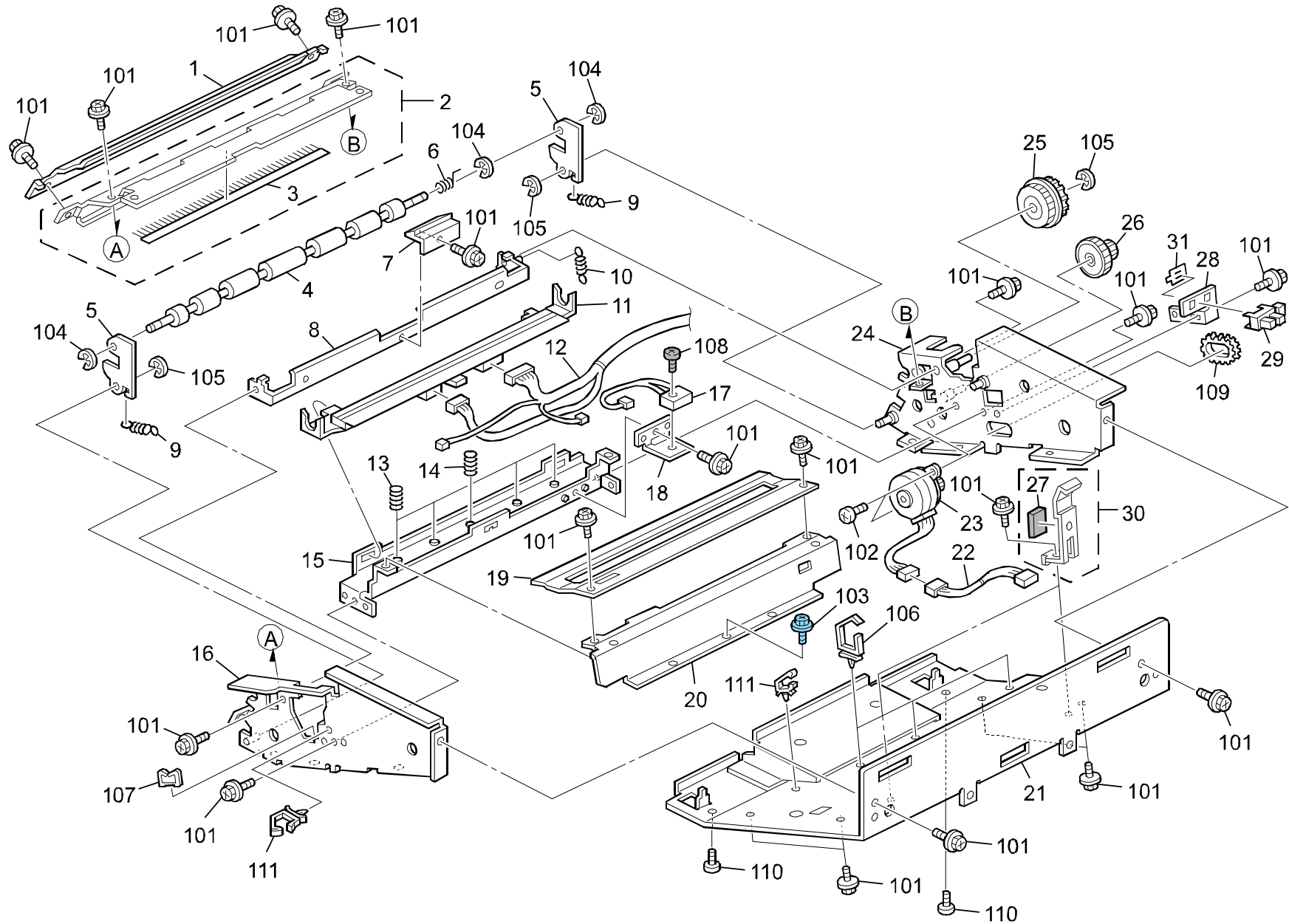


11. Plotter Unit 2 (C282)

Index No.	Part No.	Description	Q'ty Per Assembly
1	C252 2281	Discharge Brush:Cutter	1
2	C252 1971	Decal:Open And Close:Plotter:Left	1
3	C252 1972	Decal:Open And Close:Plotter:Left	1
4	C261 2045	Cover:Open And Close:Plotter	1
5	C261 2046	Guide Plate	1
6	C261 2114	Roller:Tension:B4 (EU, AA, CHN)	1
6	C261 2115	Roller:Tension:LG (NA)	1
7	H012 1181	Bushing - 6mm	2
8	C261 2030	Rear Plate:Open And Close	1
9	C231 2148	Tension Roller Gear	1
10	C231 2147	Idler Gear	1
11	C231 2146	Platen Roller Gear	1
12	C238 2106	Ball Bearing - 6x13x5mm	2
13	C261 2039	Spring:Lever:Lock:Plotter	2
14	C238 2037	Lever Knob	1
15	C261 2036	Lever:Open And Close:Plotter	1
16	C261 2040	Side Plate:Open And Close:Front:Plotter:Ass'y	1
17	C261 2108	Cover:Open And Close:Lower	1
18	C261 2271	Cutter Unit:B4:Ass'y	1
19	C267 2220	Holder:Master:Front	1
20	C261 1955	Stay:Coupling:Plotter	1
21	C252 1950	Positioning Pin:Coupling:Plotter:Ass'y	1
22	C267 2210	Holder:Master:Rear	1
23	C282 2104	Platen:B4	1
23	C282 2105	Platen:A4/LG	1
24	C238 1962	Front Spring	1
25	C238 2243	Master Flange - MH	2
25	C238 2244	Flange:Master:50.8/20	2
26	C261 1961	Spring:Open And Close:Rear:Plotter	1
27	C217 5102	Spring Washer	1

Index No.	Part No.	Description	Q'ty Per Assembly
101	0451 3006N	Tapping Screw - 3x6	
102	0720 0040E	Retaining Ring - M4	
103	0574 0040E	Hexagon Headless Set Screw - M4x4	
104	0450 3008N	Tapping Screw - M3x8	
105	0451 3008N	Tapping Screw - M3x8	

12. Plotter Unit 3 (C282)



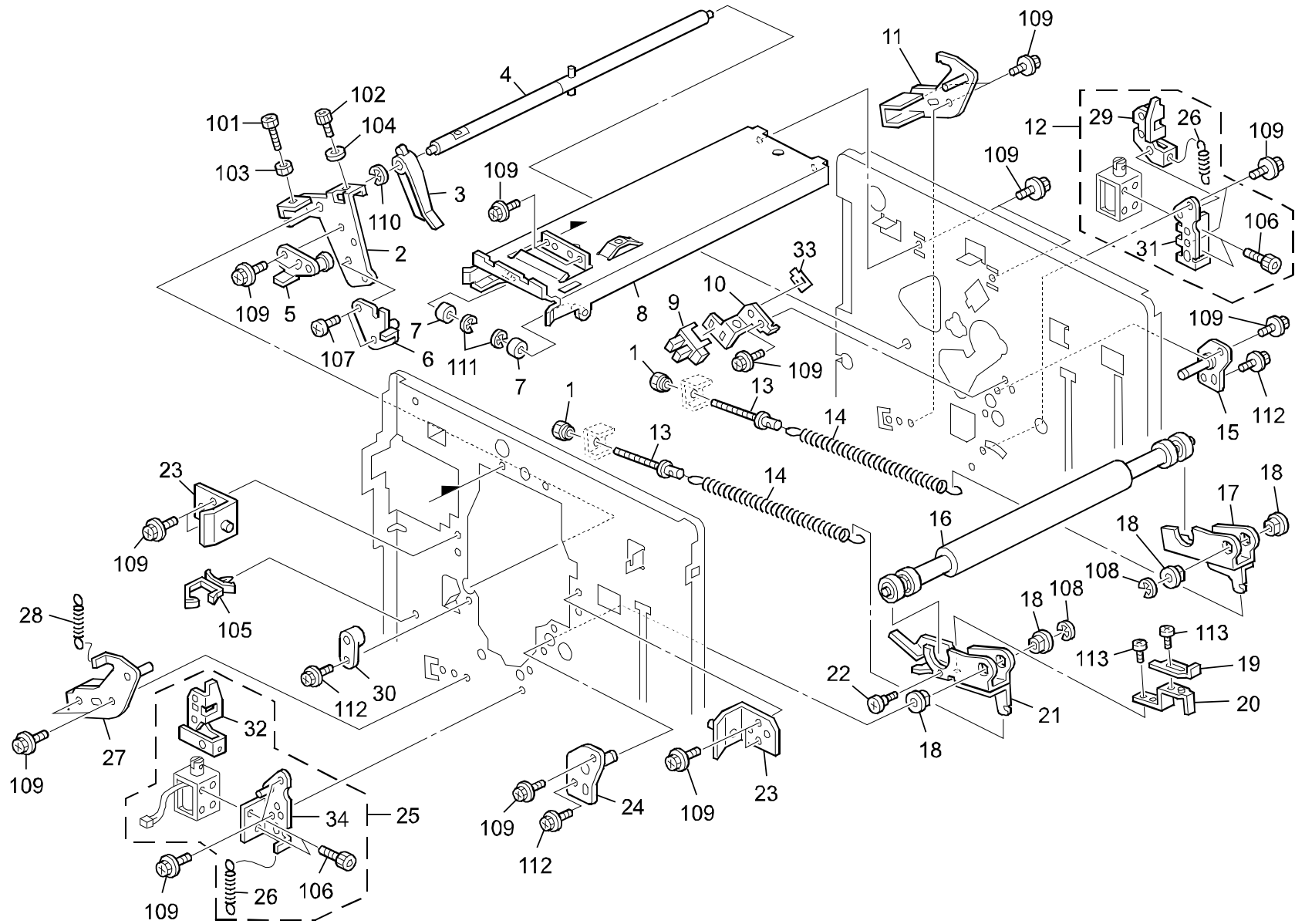
12. Plotter Unit 3 (C282)

Index No.	Part No.	Description	Q'ty Per Assembly
1	C252 2085	Guide Plate:Brake:Upper:Plotter	1
2	C252 2082	Guide Plate:Brake:Lower:Plotter:Sub-ass'y	1
3	C252 2281	Discharge Brush:Cutter	1
4	C261 2077	Roller:Brake:Plotter	1
5	C267 2064	Lever:Roller:Brake	2
6	C267 2078	Bracket Shoe:Roller:Brake:Plotter	1
7	C274 2057	Display Sub-unit:Leading Edge:Master:Printing	1
8	C261 2052	Positioning Plate:Master	1
9	C267 2066	Spring:Roller:Brake:Plotter	2
10	C261 2054	Spring:Positioning Plate:Master	1
11	C261 2151	Thermal Head:B4	1
12	C282 5240	Harness:Imaging Unit:Ass'y	1
13	C252 2157	Spring:Thermal Head:Both Ends	4
14	C261 2156	Spring:Thermal Head:Middle	1
15	C261 2026	Base:Thermal Head	1
16	C267 2020	Side Plate:Fix:Front:Plotter:Ass'y	1
17	C280 5854	Optics Sensor:Master:Duct	1
18	C261 2279	Bracket:Sensor:Master	1
19	C252 2092	Guide Plate:Thermal Head:Ass'y	1
20	C267 2095	Guide Plate:Master	1
21	C267 2290	Base:Fix:Plotter:2:Peen	1
22	C282 5241	Harness:Stepper Motor:Ass'y	1
23	C267 5844	Stepper Motor:DIA42:Plotter:Ass'y	1
24	C267 2010	Side Plate:Fix:Rear:Plotter:Ass'y	1
25	C231 2135	Platen Gear - 2	1
26	C267 2133	Gear:Idler:1:Platen	1
27	C231 2234	Brake Pad	1
28	C261 2273	Bracket:On Off Detector:Plotter	1
29	AW02 0203	Photointerruptor	1
30	C249 2230	Brake Shoe	1
31	G570 1225	Sensor Shielding Plate	1

Index No.	Part No.	Description	Q'ty Per Assembly
101	0451 3006N	Tapping Screw - 3x6	
102	0353 0040N	Screw - M3x4	
103	0454 3006Q	Tapping Screw - M3x6	
104	0720 0030E	Retaining Ring - M3	
105	0720 0040E	Retaining Ring - M4	
106	1105 0488	Harness Clamp	
107	1105 0328	Harness Clamp - ES-0505	
108	0352 0080P	Screw M2x8	
109	1106 0851	Bush:NJ-16	
110	0453 3006N	Tapping Screw - M3x6	
111	1105 0534	Clamp	



13. Press Roller Section (C282)

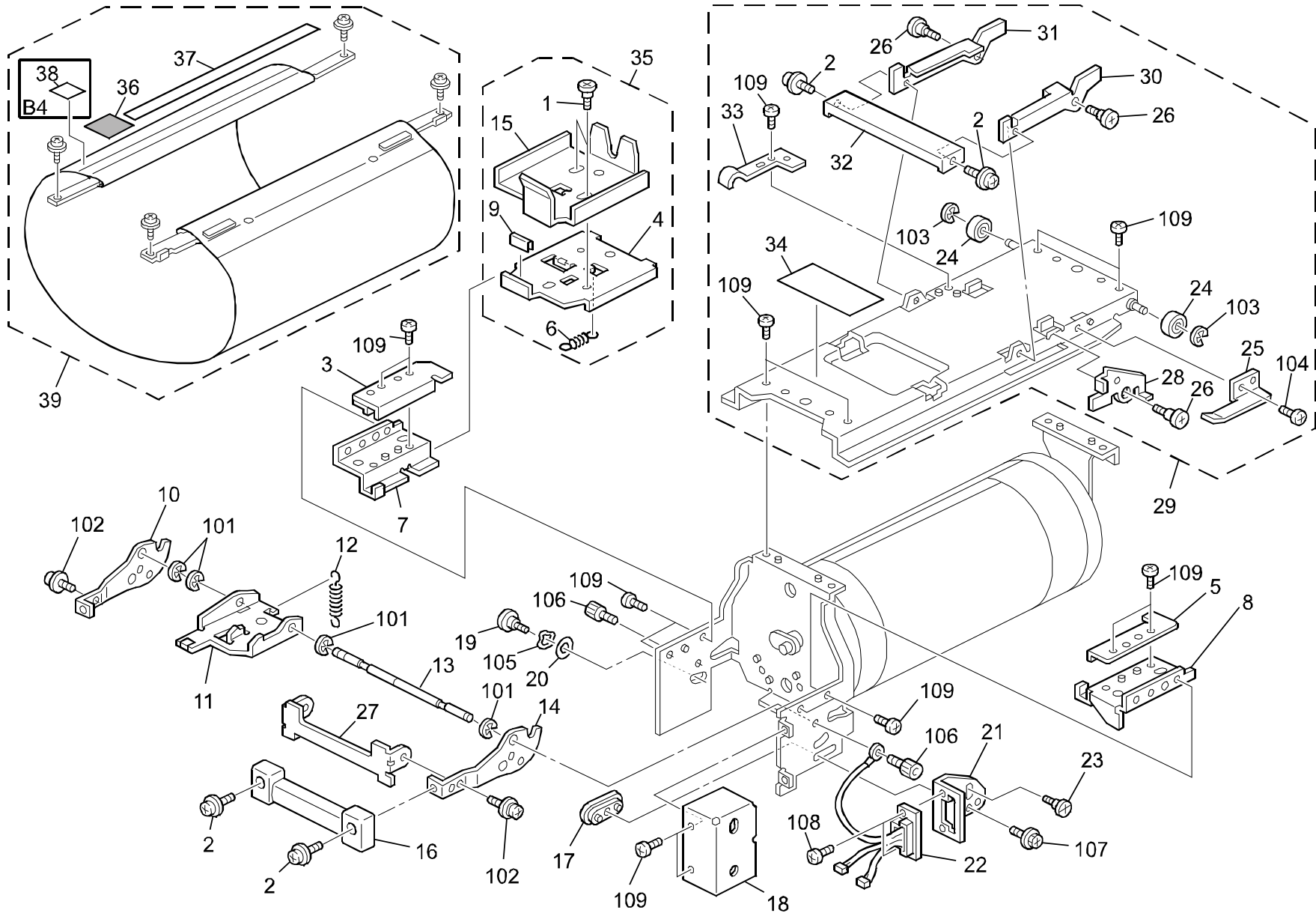


13. Press Roller Section (C282)

Index No.	Part No.	Description	Q'ty Per Assembly
1	C238 3127	Pressure Spring Nut	2
2	C261 4481	Arm:Drive:Pickoff Pawl	1
3	C252 4365	Pickoff Pawl:Exit	1
4	C267 4480	Shaft:Pickoff Pawl:Ass'y	1
5	C238 4493	Exit Pawl Drive Arm 2	1
6	C261 4485	Bracket:Roller:Pressure Release	1
7	C229 2615	Slide Rail Roller	2
8	C261 2601	Stay:Drum:Machine Or Copier:Ass'y	1
9	AW02 0203	Photointerruptor	1
10	C261 5611	Bracket:Sensor:Paper Feed Control	1
11	C261 3123	Anchor:Spring:Pressure:Right:Ass'y	1
12	C267 3134	DC Solenoid:Pressure Release:Right:Ass'y	1
13	C238 3126	Pressure Spring Screw	2
14	C252 3140	Spring:Pressure:B4	2
14	C261 3141	Spring:Pressure:A4/LG	2
15	C261 3103	Side Plate:Pressure:Right:Ass'y	1
16	C267 3050	Pressure Roller:B4:Ass'y	1
16	C267 3052	Pressure Roller:A4/LG:Ass'y	1
17	C261 3113	Arm:Pressure Roller:Right:Ass'y	1
18	C252 1080	Bushing	4
19	C261 3117	Stopper:Pressure Roller	1
20	C261 3116	Bracket:Stopper:Pressure Roller	1
21	C261 3110	Arm:Pressure Roller:Left:Ass'y	1
22	5506 6111	Stepped Screw - M4	1
23	C261 2605	Positioning Pin:Drum:Ass'y	2
24	C261 3100	Side Plate:Pressure:Left:Ass'y	1
25	C267 3130	DC Solenoid:Pressure Release:Left:Ass'y	1
26	C261 3137	Spring:Pressure Release	2
27	C261 3120	Anchor:Spring:Pressure:Left:Ass'y	1
28	C267 4349	Spring:Arm:Pickoff Pawl	1
29	C261 3165	Arm:Pressure Release:Right:Ass'y	1
30	C267 4479	Bushing	1
31	C261 3135	Bracket:Pressure Release:Right	1
32	C261 3160	Arm:Pressure Release:Left:Ass'y	1
33	G570 1225	Sensor Shielding Plate	1

Index No.	Part No.	Description	Q'ty Per Assembly
34	C261 3131	Bracket:Pressure Release:Left	1
101	0593 0080E	Bolt - M3x8	
102	0584 0121N	Hexagonal Head Bolt:M4x12	
103	0710 0040N	Hexagonal Nut:M4	
104	0701 0030N	Washer DIA3	
105	1105 0508	Harness Clamp - LWS-0711	
106	0593 0040E	Hexagonal Set Screw:M3x4	
107	0354 0040N	Screw-M4x4	
108	0720 0080E	Retaining Ring - M8	
109	0451 4006N	Tapping Screw - 4x6	
110	0720 0060E	Retaining Ring - M6	
111	0720 0040E	Retaining Ring - M4	
112	0451 4008N	Tapping Screw:4x8	
113	0353 0060N	Bind Screw - M3x6	

14. Drum Unit 1 (C282)

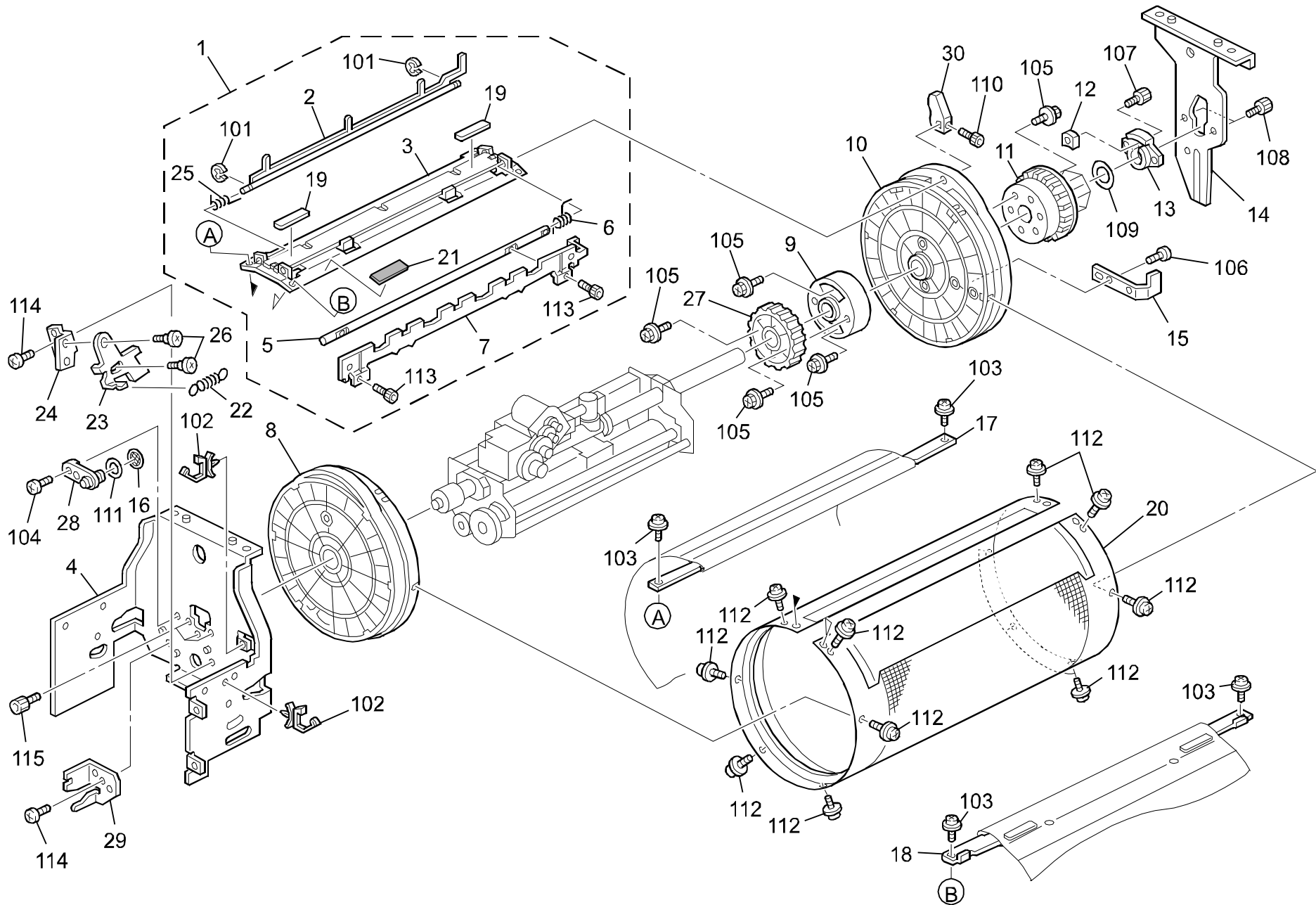


14. Drum Unit 1 (C282)

Index No.	Part No.	Description	Q'ty Per Assembly
1	C261 2552	Screw:Slider	2
2	C612 1801	Screw:M4x8	4
3	C267 2642	Guide:Slider:Left:WLD:Ass'y	1
4	C267 2641	Slider:Holder:Ink Cartridge:WLD	1
5	C261 2555	Guide:Slider:Right	1
6	C252 2559	Spring:Pressure:Ink Cartridge	1
7	C261 2553	Rail:Holder:Left	1
8	C261 2554	Rail:Holder:Right	1
9	C267 2571	Shield:Holder:Ink Cartridge	1
10	C261 2531	Arm:Grip:Right	1
11	C261 2556	Lever:Release:Holder:Ass'y	1
12	C261 2560	Spring:Lever:Release	1
13	C261 2535	Shaft:Contact Point:Arm:Drum	1
14	C261 2530	Arm:Grip:Left	1
15	C267 2640	Holder:Ink Cartridge (21, 29, 61, 67, 27)	1
15	C267 2675	Holder:Ink Cartridge:NA:STD:Ass'y (11)	1
16	C252 2534	Grip:Drum:Lower	1
17	C267 2574	Slider:Housing	1
18	C261 2543	Cover:Harness:Drum	1
19	C261 2533	Screw:Arm:Drum	1
20	C238 2489	Rubber Bushing Plate	1
21	C261 2538	Bracket:Housing:Drum	1
22	C282 5257	Harness:Drum:Connecting:B4:Ass'y	1
22	C282 5258	Harness:Drum:Connecting:A4:Ass'y	1
22	C282 5259	Harness:Drum:Connecting:Legal:Ass'y	1
23	C238 2573	Stepped Screw	1
24	C267 3452	Roller:Rail:Drum	2
25	C267 2396	Spring Plate:Stopper	1
26	C238 2585	Screw MM6x1.7	3
27	C261 2567	Stay:Coupling:Grip	1
28	C267 2395	Bracket:Stopper:Drum	1
29	C282 2504	Frame:Upper:Drum:Ass'y	1
30	C267 2525	Stay:Grip:Drum:Right	1
31	C267 2524	Stay:Grip:Drum:Left	1
32	C252 2526	Grip:Drum:Upper	1

Index No.	Part No.	Description	Q'ty Per Assembly
33	C267 2394	Spring Plate:Grip:Drum	1
34	C282 2524	Decal:Pull Out:Drum	1
35	C267 2322	Holder:Ink Cartridge:WLD:Ass'y (21, 29, 61, 67, 27)	1
35	C267 2323	Holder:Ink Cartridge:NA:STD:Ass'y (11)	1
36	C267 2390	Sheet:Sensor:Drum	1
37	C252 2412	Friction Pad:Screen:Large (B4)	1
37	C252 2414	Friction Pad:Screen:LG/A4	1
38	C252 2413	Friction Pad:Screen:Small	1
39	C252 2340	Screen:B4:Ass'y	1
39	C252 2341	Screen:LG:Ass'y	1
39	C267 2342	Screen:A4:Ass'y	1
101	0720 0060E	Retaining Ring - M6	
102	0954 4006Z	Screw - M4x6	
103	0720 0040E	Retaining Ring - M4	
104	0353 0050Z	Philips Truss Head Screw - M3x5	
105	0807 5049	Wave Washer - 8 mm	
106	0594 0060Z	Hexagon Socket Bolt - M4x6	
107	0450 4006N	Tapping Screw:4x6	
108	0353 0080Z	Philips Tress Head Screw - M3x8	
109	0354 0040Z	Screw - M4x4	

15. Drum Unit 2 (C282)

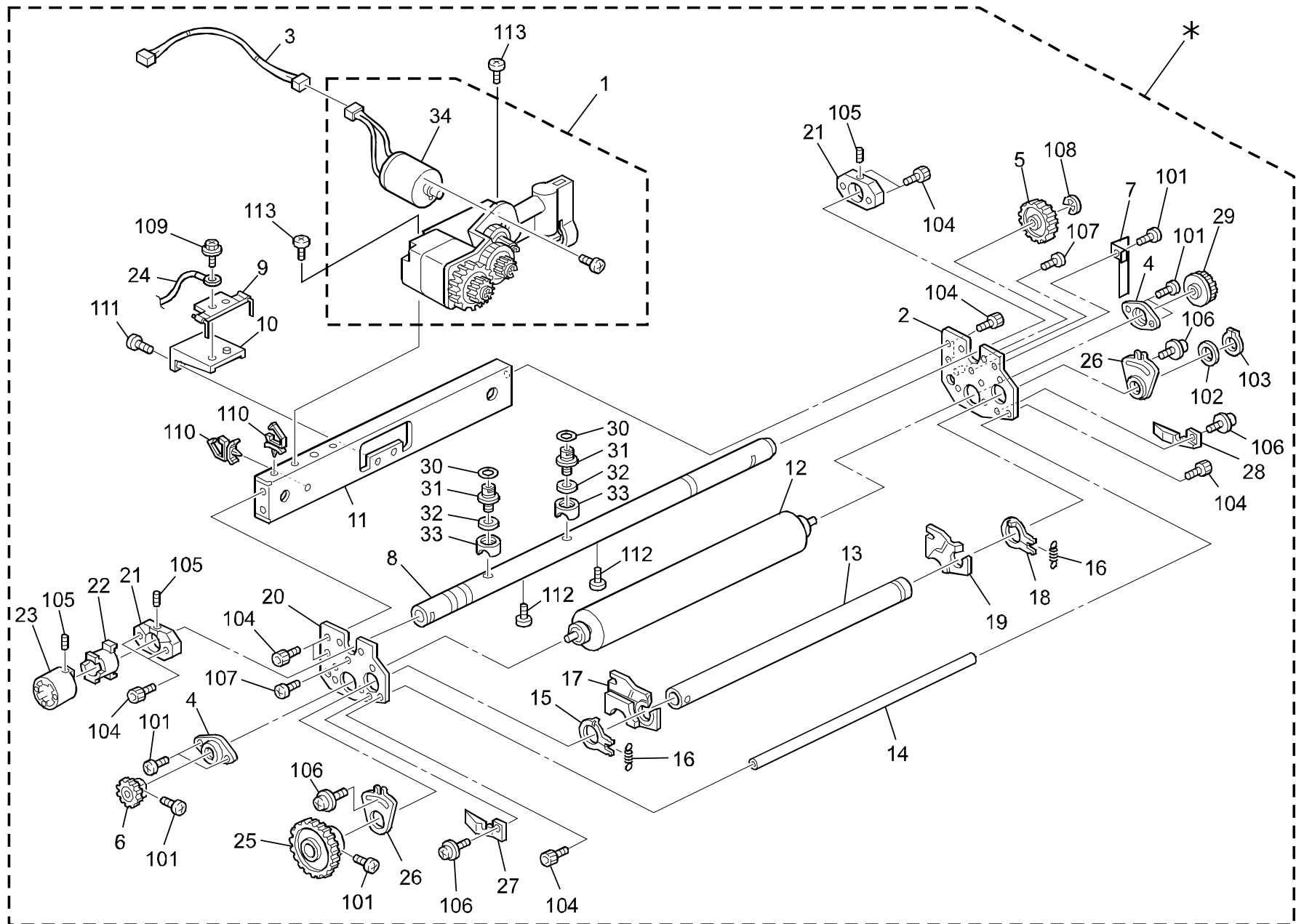


15. Drum Unit 2 (C282)

Index No.	Part No.	Description	Q'ty Per Assembly
1	C261 2401	Clamp:Ass'y	1
2	C231 2417	Master Exit Pawls	1
3	C261 2402	Base:Clamp:Drum:Ass'y	1
4	C261 2520	Side Plate:Drum:Left	1
5	C261 2406	Shaft:Clamp:Drum	1
6	C238 2410	Clamper Rear Spring	1
7	C261 2405	Plate:Clamp	1
8	C267 2360	Flange:Drum:B4/LG:Left:Ass'y	1
8	C267 2364	Flange:Drum:A4:Left:Ass'y	1
9	C252 2370	Spacer:Drum Shaft:Right	1
10	C267 2362	Flange:Drum:B4/LG:Right:Ass'y	1
10	C267 2366	Flange:Drum:A4:Right:Ass'y	1
11	C238 2368	Drum Drive Gear	1
12	C252 2396	Wedge:Plate:Thrust	1
13	C252 2395	Plate:Thrust:Drum	1
14	C261 2521	Side Plate:Drum:Right	1
15	C261 2368	Shielding Plate:Drum	1
16	C267 2424	Filter:Pump:Ink	1
17	C261 2388	Stay:Screen:Front:B4	1
17	C261 2390	Stay:Screen:Front:A4/LG	1
18	C261 2389	Stay:Screen:Rear:B4	1
18	C261 2391	Stay:Screen:Rear:A4/LG	1
19	C267 2416	Friction Pad:Small:Magnetic	2
20	C252 2590	Metal Screen - B4	1
20	C252 2593	Dram Metal Screen:Drum:LG:Ass'y	1
20	C267 2586	Dram Metal Screen:Drum:A4:Ass'y	1
21	C238 2413	Sheet:Sensor:Trailing Edge:Screen	1
22	C238 2572	Stopper Spring	1
23	C267 2572	Stopper:Turn	1
24	C267 2570	Bracket:Stopper:Turn	1
25	C252 2410	Torsion Spring:Pawl:Master Ejection:Master	1
26	C238 2585	Screw MM6x1.7	2
27	C217 4581	Ink Roller Drive Gear	1
28	C231 2565	Ink Cartridge Joint	1
29	C261 2558	Base:Lever:Release	1

Index No.	Part No.	Description	Q'ty Per Assembly
30	C238 2412	Clamper Cam	1
101	0720 0020E	Retaining Ring - M2	
102	1105 0511	Harness Clamp - LWS-0306ZC	
103	0951 3008Z	Philips Screw With Flat Washer - M3	
104	0354 0060Z	Philips Truss Head Screw - M4x6	
105	0450 3008Z	Tapping Screw - M3x8	
106	0452 3006N	Binding Self-tapping Screw:3x6	
107	0593 0100Z	Bolt M3x10	
108	0594 0080Z	Bolt - M4x8	
109	0807 7114	Washer - 16x24x0.3mm	
110	0804 6091	Hexagonal Set Screw - M2x5	
111	0808 0021	Rubber Ring	
112	0951 3006Z	Philips Screw With Flat Washer - M3	
113	0592 0040E	Hexagonal Set Screw:M2x4	
114	0354 0040Z	Screw - M4x4	
115	0593 0060Z	Hexagon Bolt - M3x6	

16. Drum Unit 3 (C282)

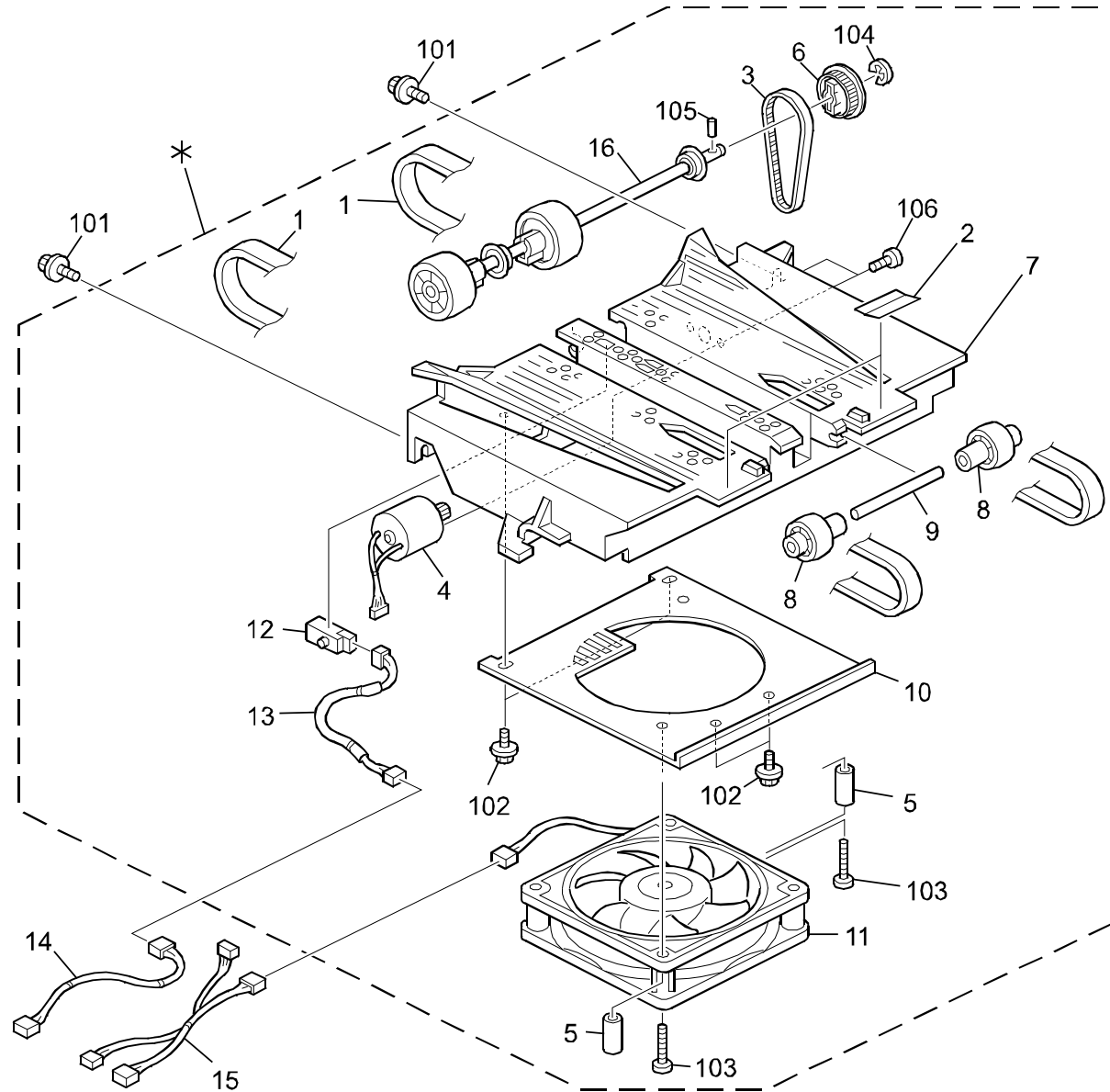


16. Drum Unit 3 (C282)

Index No.	Part No.	Description	Q'ty Per Assembly
*	C267 2311	Roller:Ink:A4/LG:Ass'y	1
*	C267 2312	Roller:Ink:B4:Ass'y	1
1	C267 2428	Pump Unit:Ink:B4:Ass'y	1
1	C267 2429	Pump Unit:Ink:A4:Ass'y	1
2	C252 2476	Side Plate:Roller:Ink:Right:Ass'y	1
3	C267 5251	Harness:Connecting:Pump:B4:Ass'y	1
3	C267 5254	Harness:Connecting:Pump:A4/LG:Ass'y	1
4	C267 4665	Bearing Case:Roller:Ink	2
5	C207 4672	Gear - 36Z	1
6	C238 2469	Doctor Roller Drive Gear	1
7	C267 2468	Ground Plate:Oil Supply Roller:Ink	1
8	C267 2481	Drum Shaft:B4:Ass'y	1
8	C267 2487	Drum Shaft:A4/LG:Ass'y	1
9	C261 2471	Ink Sensor:Ass'y	1
10	C252 2470	Stay:Ink Sensor	1
11	C261 2463	Stay:Main:Drum:B4	1
11	C261 2464	Stay:Main:Drum:A4/LG	1
12	C231 2450	Ink Roller - B4	1
12	C231 2456	Ink Roller - A4/LG	1
13	C252 2458	Oil Supply Roller:B4	1
13	C252 2459	Oil Supply Roller:LG/A4	1
14	C261 2465	Stay:Sub:Drum:B4	1
14	C261 2466	Stay:Sub:Drum:A4/LG	1
15	C267 2458	Ring:Front:Roller:Drum	1
16	C252 2492	Tension Spring:Ring:Roller:Drum	2
17	C218 4592	Front Bank Plate	1
18	C267 2459	Ring:Rear:Roller:Drum	1
19	C218 4594	Rear Bank Plate	1
20	C252 2475	Side Plate:Roller:Ink:Left	1
21	C252 2495	Plate:Side Plate:Roller:Ink	2
22	C252 2398	Spacer:Drum Shaft:Left (A4/LG)	1
23	C252 2397	Collar:Drum Shaft:Left	1
24	C261 5253	Harness:Ink Sensor:Ass'y	1
25	C200 4748	Gear - 45T	1
26	C247 2461	Adjusting Plate - Doctor Roller	2

Index No.	Part No.	Description	Q'ty Per Assembly
27	C267 2598	Blade:Front:Drum	1
28	C267 2599	Blade:Rear:Drum	1
29	C237 2460	Ink Drive Gear	1
30	5316 7421	O - Ring	2
31	C252 2485	Joint:Drum Shaft	2
32	C238 2489	Rubber Bushing Plate	2
33	C238 2488	Rubber Bushing	2
34	C267 2427	DC Mtor:Pump Unit	1
101	0353 0050Z	Philips Truss Head Screw - M3x5	
102	0807 7114	Washer - 16x24x0.3mm	
103	0725 0160E	Retaining Ring C - M16	
104	0594 0080Z	Bolt - M4x8	
105	0574 0040E	Hexagon Headless Set Screw - M4x4	
106	0951 4006Z	Philips Screw With Flat Washer - M4	
107	0314 0080Z	Philips Screw - 4x8	
108	0720 0050G	Retaining Ring - M5	
109	0450 3008Z	Tapping Screw - M3x8	
110	1105 0511	Harness Clamp - LWS-0306ZC	
111	0951 3006Z	Philips Screw With Flat Washer - M3	
112	0353 0100Z	Bind Screw - M3x10	
113	0354 0060Z	Philips Truss Head Screw - M4x6	

17. Vacuum Fan Unit (C282)

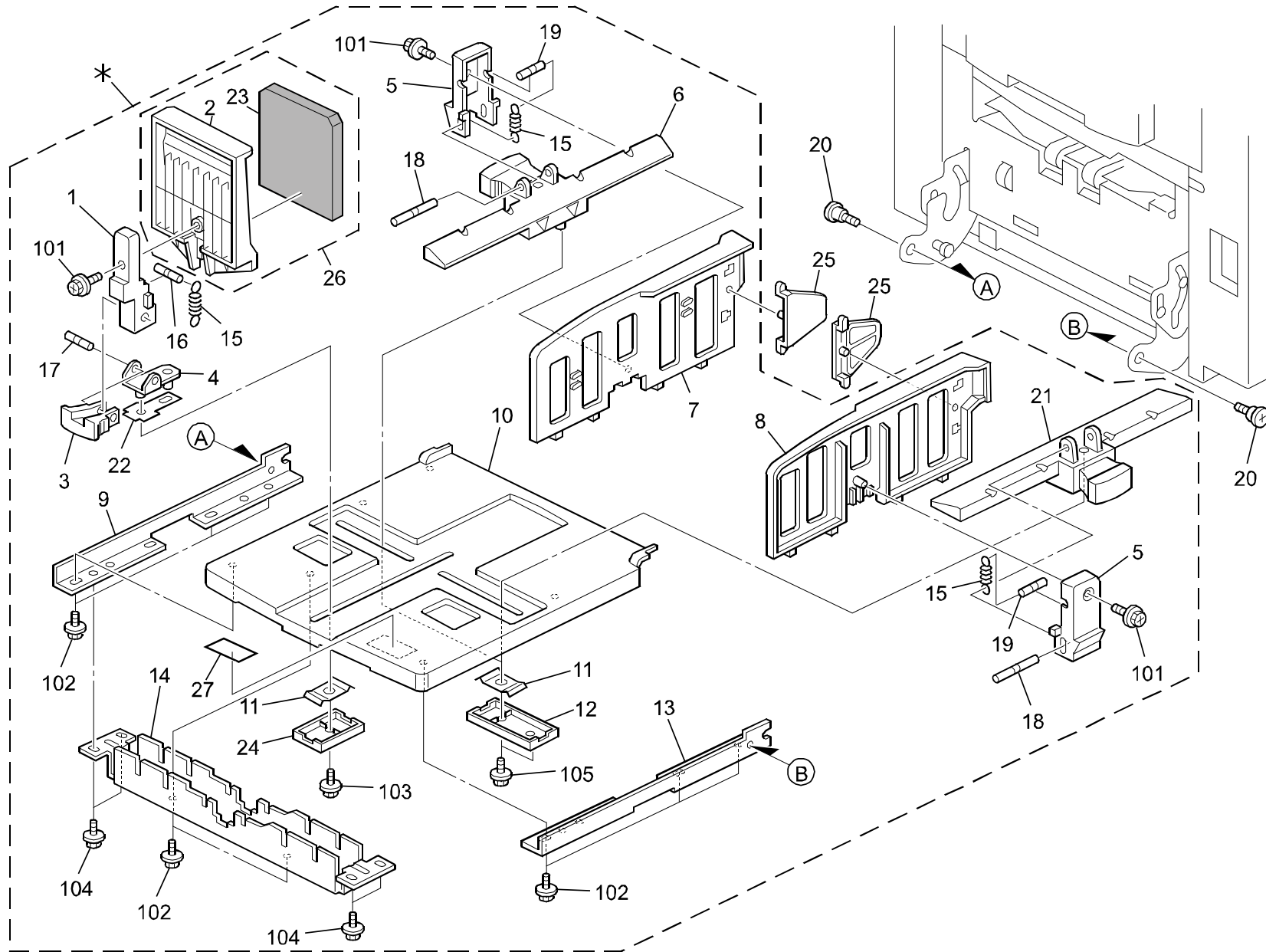


17. Vacuum Fan Unit (C282)

Index No.	Part No.	Description	Q'ty Per Assembly
*	C282 3804	Hale Unit:Ass'y	1
1	C261 3879	Transport Belt:Hale Unit:17	2
2	C261 3890	Guide:Hale Unit	2
3	C275 3879	Timing Belt:Drive:Hale Unit	1
4	C275 5811	DC Motor:2.5W:DIA34:Z15	1
5	C272 5887	Spacer:DC Fan Motor:Axial:MM119:24V	1
6	C275 3875	Pulley:Drive:Hale Unit	1
7	C261 3861	Duct:Hale Unit	1
8	C238 3890	Drive Roller - Drum Side	2
9	C238 3877	Driven Shaft	1
10	C261 3855	Bracket:Fan:Hale Unit:Ass'y	1
11	AX65 5800	DC Fan Motor:Axial:MM119:24V	1
12	AW01 0109	Photo Reflection Sensor:PS117ED1	1
13	C282 5260	Harness:Hale Unit:Ass'y	1
14	C282 5261	Harness:Connecting:Hale:Unit:Ass'y	1
15	C282 5262	Harness:Connecting:Hale:Fan:Ass'y	1
16	C275 3877	Shaft:Drive:Hale Unit:Sub-Ass'y	1

Index No.	Part No.	Description	Q'ty Per Assembly
101	0451 4008N	Tapping Screw:4x8	
102	0450 4008N	Tapping Screw - M4x8	
103	0354 0450N	Screw:M4x45	
104	0720 0060E	Retaining Ring - M6	
105	0633 0140G	Parallel Pin - 3x14	
106	0353 0060N	Bind Screw - M3x6	

18. Delibary Table (C282)

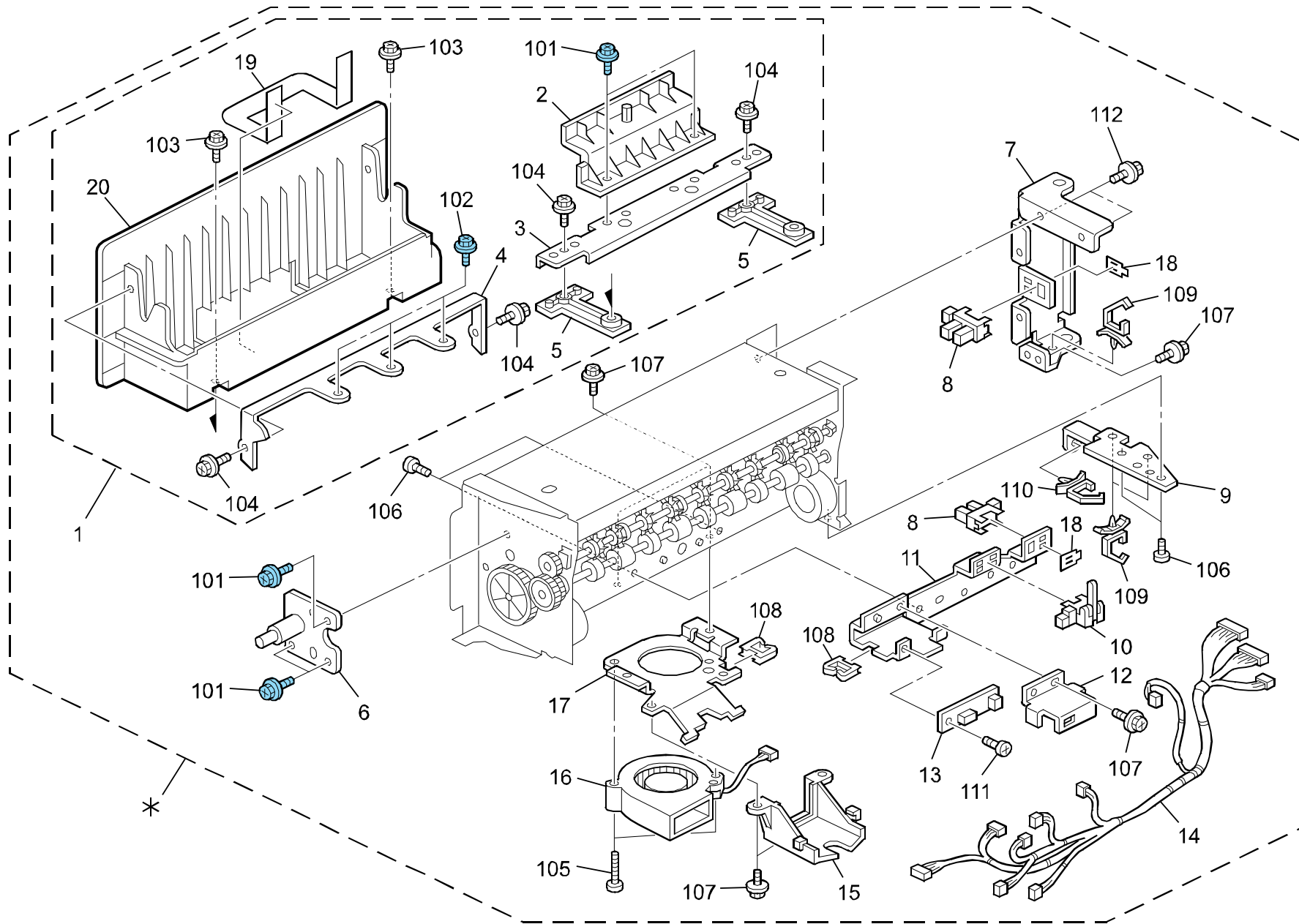


18. Delibary Table (C282)

Index No.	Part No.	Description	Q'ty Per Assembly
*	C282 4201	Paper Exit Sub-Unit:Ass'y	1
*	C282 4204	Paper Exit Sub-Unit:CHN:Ass'y	1
1	C282 4416	Case:End Plate:Exit	1
2	C282 4432	End Plate:Exit	1
3	C279 4406	Knob:End Plate:Exit	1
4	C267 4410	Bracket:End Plate:Ass'y	1
5	C282 4407	Case:Side Fence:Paper Exit Sub-Unit	2
6	C282 4398	Guide:Lower Rear:Paper Exit Sub-Unit:CHN:Printing	1
6	C282 4396	Guide:Lower Rear:Paper Exit Sub-Unit:Printing	1
7	C282 4464	Side Fence:Rear:Paper Exit Sub-Unit	1
8	C282 4465	Side Fence:Front:Paper Exit Sub-Unit	1
9	C261 4402	Stay:Rear:Paper Exit Sub-unit	1
10	C282 4390	Base:Paper Exit Sub-Unit:Printing	1
11	C231 4420	Slider Spring Plate	3
12	C279 4456	Cover:Slide:Paper Exit Sub-Unit	2
13	C261 4401	Stay:Front:Paper Exit Sub-unit	1
14	C261 4409	Supporting Plate:Paper Exit	1
15	C231 4413	Delivery Table Spring	3
16	C225 6113	Upper Pressure Spring Pin	1
17	C231 4419	End Plate Pin	1
18	C231 4414	Lower Side Fence Pin	2
19	C231 4415	Upper Side Fence Pin	2
20	C244 4426	Shoulder Screw	2
21	C282 4395	Guide:Lower Front:Paper ExitSub-Unit: Printing	1
21	C282 4397	Guide:Lower Front:Paper Exit Sub-Unit: CHN:Printing	1
22	C231 4425	End Plate Sheet	1
23	C267 4417	Cushion:End Fence	1
24	C279 4421	Cover:Slide:Paper Exit Sub-Unit	1
25	C282 4493	Guide:Paper:Side Fence	2
26	C282 4430	End Fence:Adhesion	1
27	C282 4441	Decal:Caution:Exit	1

Index No.	Part No.	Description	Q'ty Per Assembly
101	0450 3008N	Tapping Screw - M3x8	
102	0450 4008N	Tapping Screw - M4x8	
103	0451 3008N	Tapping Screw - M3x8	
104	0451 4006N	Tapping Screw - 4x6	
105	0450 3012N	Tapping Screw:3x12	

19. Master Eject Unit 1 (C282)

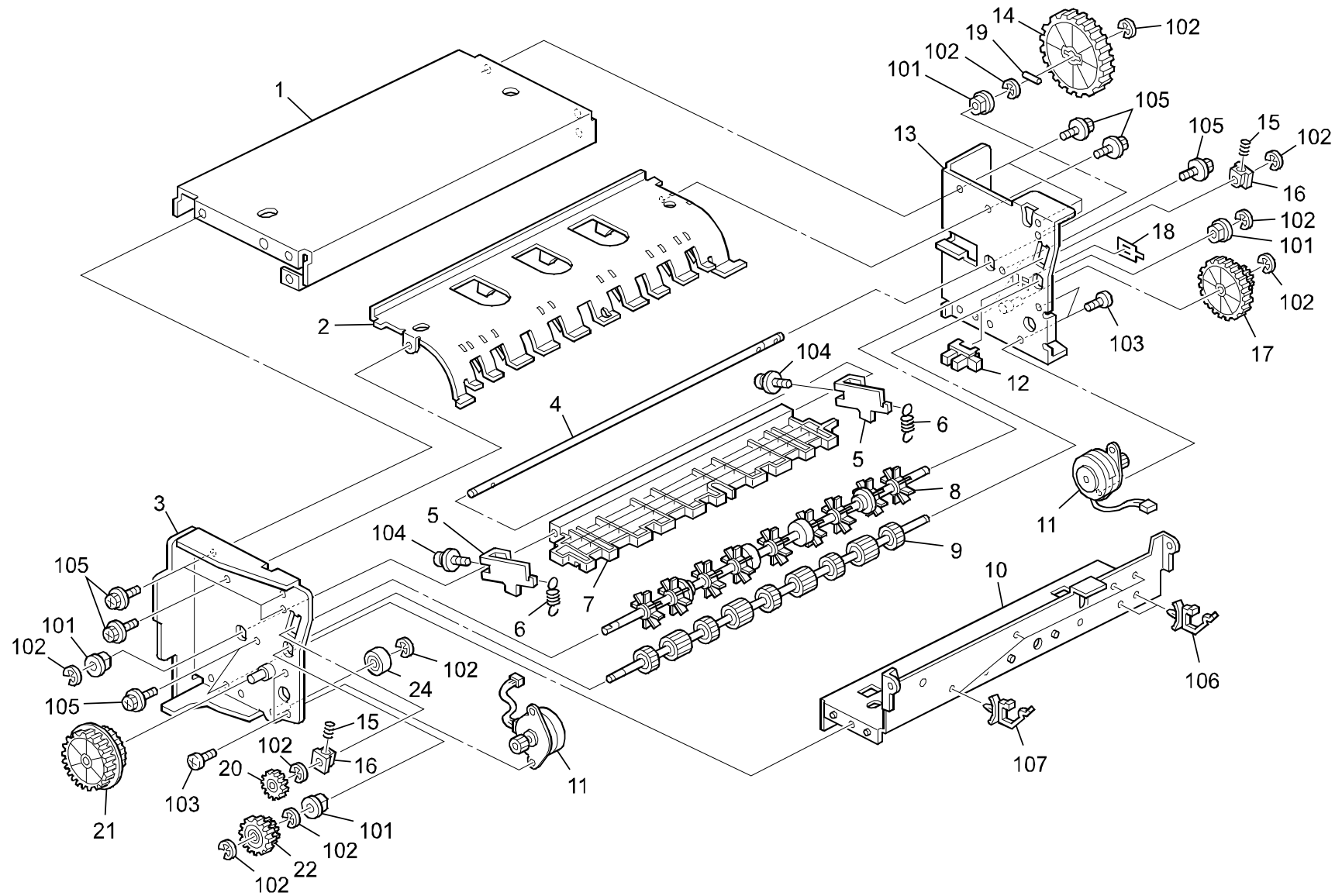


19. Master Eject Unit 1 (C282)

Index No.	Part No.	Description	Q'ty Per Assembly
*	C275 3450	Frame:Master Ejection Unit:Ass'y	1
1	C282 3510	Case:Master Ejection Unit:Ass'y	1
2	C279 3489	Lever:Master Ejection	1
3	C267 3679	Bracket:Auxiliary:Master Ejection	1
4	C261 3577	Plate:Master	1
5	C267 3680	Spring Plate:Guide:Master Ejection	2
6	C267 3530	Shaft:Lock:Master Ejection Unit:Ass'y	1
7	C267 3477	Bracket:Contact Point:Turn	1
8	AW02 0203	Photointerruptor	2
9	C267 3526	Bracket:Harness:Master Ejection Unit	1
10	C261 5050	Photointerrupt:Master Ejection	1
11	C261 3467	Bracket:Sensor:Master Ejection Unit	1
12	C261 3472	Cover:Sensor:Master Ejection Unit	1
13	C261 5150	PCB:Optics Sensor	1
14	C282 5230	Harness:Master Ejection Unit:Ass'y	1
15	C261 3469	Duct:Air Knife	1
16	C261 5825	Fan:Sirocco:DC24V:B054	1
17	C261 3470	Base:Air Knife	1
18	G570 1225	Sensor Shielding Plate	2
19	C267 3682	Sheet:Case:Master Ejection	1
20	C282 3678	Case:Master Ejection	1

Index No.	Part No.	Description	Q'ty Per Assembly
101	0454 3006Q	Tapping Screw - M3x6	
102	0454 3008Q	Tapping Screw:3x8	
103	0450 3008N	Tapping Screw 3x8	
104	0450 3006N	Tapping Screw - M3x6	
105	0354 0350N	Screw M4x35	
106	0353 0040N	Screw - M3x4	
107	0451 3006N	Tapping Screw - 3x6	
108	1105 0328	Harness Clamp - ES-0505	
109	1105 0508	Harness Clamp - LWS-0711	
110	1105 0488	Harness Clamp	
111	0353 0060N	Bind Screw - M3x6	
112	0451 3008N	Tapping Screw - M3x8	

20. Master Eject Unit 2 (C282)

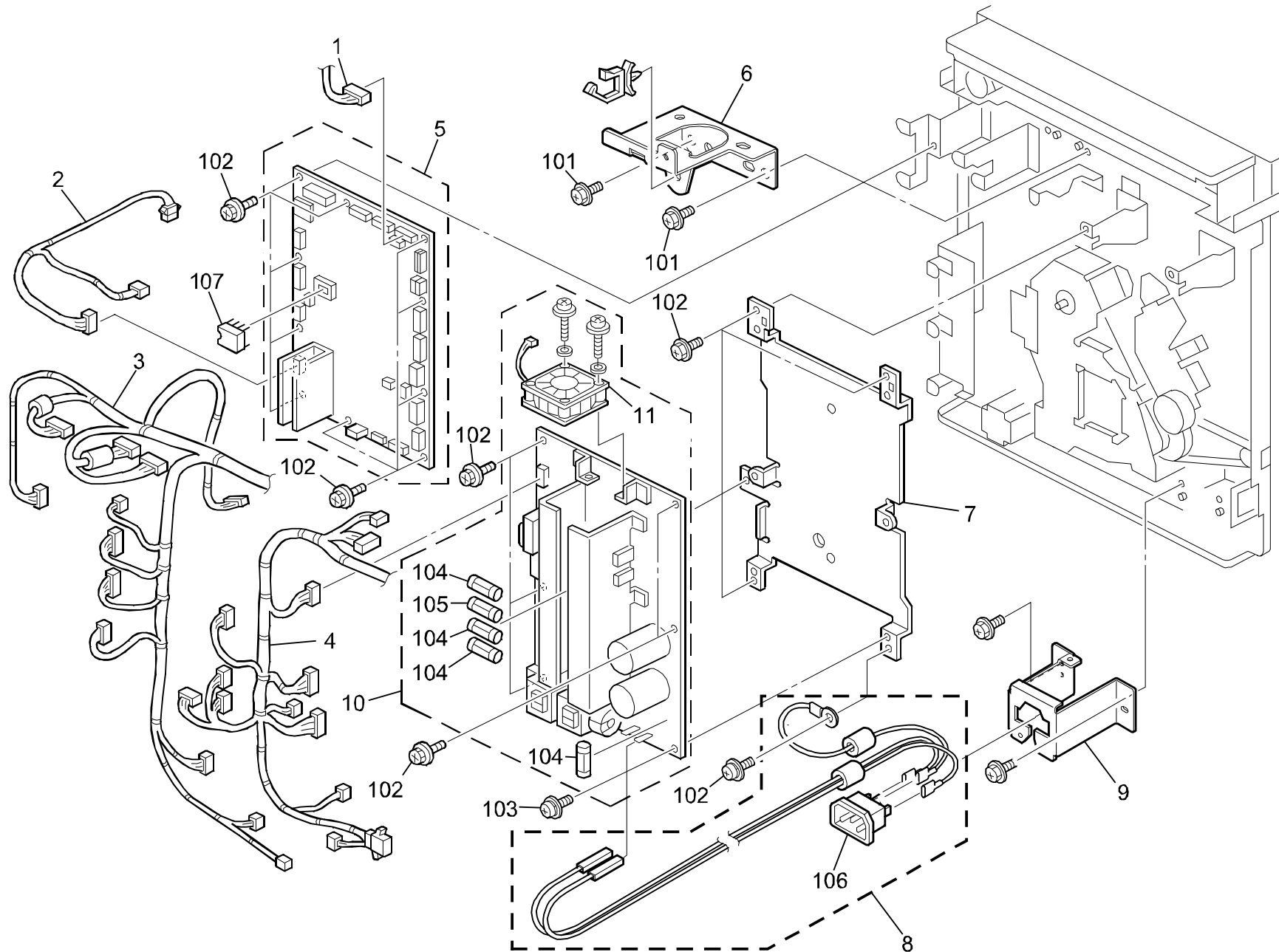


20. Master Eject Unit 2 (C282)

Index No.	Part No.	Description	Q'ty Per Assembly
1	C267 3574	Stay:Master Ejection Unit	1
2	C261 3567	Guide Plate	1
3	C267 3501	Side Plate:Front:Master Ejection:Ass'y	1
4	C261 3554	Shaft:Pressure:Master Ejection Unit	1
5	C261 3553	Arm:Pressure:Master Ejection	2
6	C252 3556	Spring:Pressure:Master Ejection:13.98N	2
7	C261 3656	Pressure Plate:Master Ejection	1
8	C267 3485	Roller:Upper:Master Ejection Unit:Ass'y	1
9	C261 3484	Roller:Lower:Master Ejection Unit:Ass'y	1
10	C261 3466	Base:Master Ejection	1
11	C259 5821	Stepper Motor:DIA42:Plotter:Ass'y	2
12	AW02 0203	Photointerruptor	1
13	C267 3521	Side Plate:Rear:Master Ejection:Ass'y	1
14	C252 3684	Gear:Pressure Plate:Master Ejection	1
15	C252 3487	Spring:Pressure:Roller:Master Ejection	2
16	C252 3486	Bushing:Pressure:MM6	2
17	C252 3525	Gear:Pressure:15/124	1
18	G570 1225	Sensor Shielding Plate	1
19	C237 3505	Pin 3x16	1
20	C231 3494	Gear - Lower Roller	1
21	C252 3492	Gear:Roller:50/84	1
22	C231 3489	Lower Roller Gear	1
23	C267 3473	Guide:Master Ejection	1
24	C267 3452	Roller:Rail:Drum	1

Index No.	Part No.	Description	Q'ty Per Assembly
101	0805 3385	Bushing - 6mm	
102	0720 0040E	Retaining Ring - M4	
103	0353 0060N	Bind Screw - M3x6	
104	0954 3008N	Screw - M3x8	
105	0451 3006N	Tapping Screw - 3x6	
106	1105 0508	Harness Clamp - LWS-0711	
107	1105 0534	Clamp	

21. Electrical Section 1 (C282)

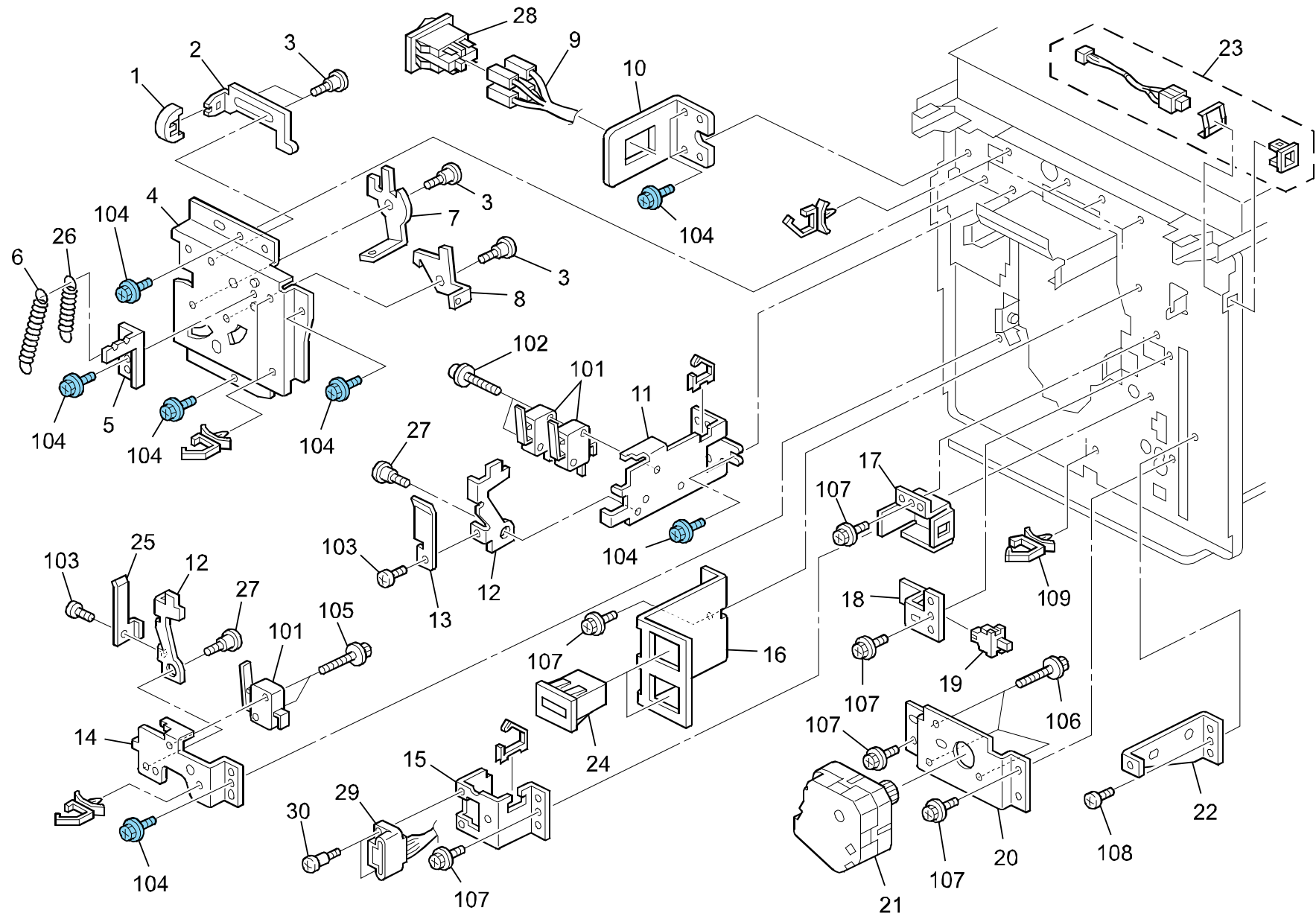


21. Electrical Section 1 (C282)

Index No.	Part No.	Description	Q'ty Per Assembly
1	C275 5206	Harness:Ink:Ass'y	1
2	C267 5276	Harness:Paper Feed Tray:Sensor:Ass'y	1
3	C282 5200	Harness:DC Drive:Ass'y	1
4	C282 5201	Harness:Motor:Ass'y	1
5	C282 5101	PCB:MPU:Sub-Ass'y	1
6	C275 5675	Bracket:Control Unit:Fix	1
7	C267 5627	Bracket:Power Supply Unit	1
8	C282 5841	Inlet:Ass'y	1
9	C282 5670	Bracket:Power Supply Cord	1
10	C275 5330	DC Power Supply:Main:NA:Ass'y	1
10	C275 5340	DC Power Supply:Main:200V:Ass'y	1
11	AX64 0188	Fan Motor DC24V 1.68W	1

Index No.	Part No.	Description	Q'ty Per Assembly
101	0451 4006N	Tapping Screw - 4x6	
102	0451 3006N	Tapping Screw - 3x6	
103	0954 3006N	Screw - M3x6	
104	1107 1295	Fuse:Glass Cartridge:FSL 250V 6.3A(EM)	
105	1107 1296	Fuse:Glass Cartridge:FSL 250V 8A(EM)	
106	1102 6088	Inlet- AC -P03CS05 (EU, NA)	
107	1407 7520	RAM:FM25V02-PG (REV.AA)	

22. Electrical Section 2 (C282)

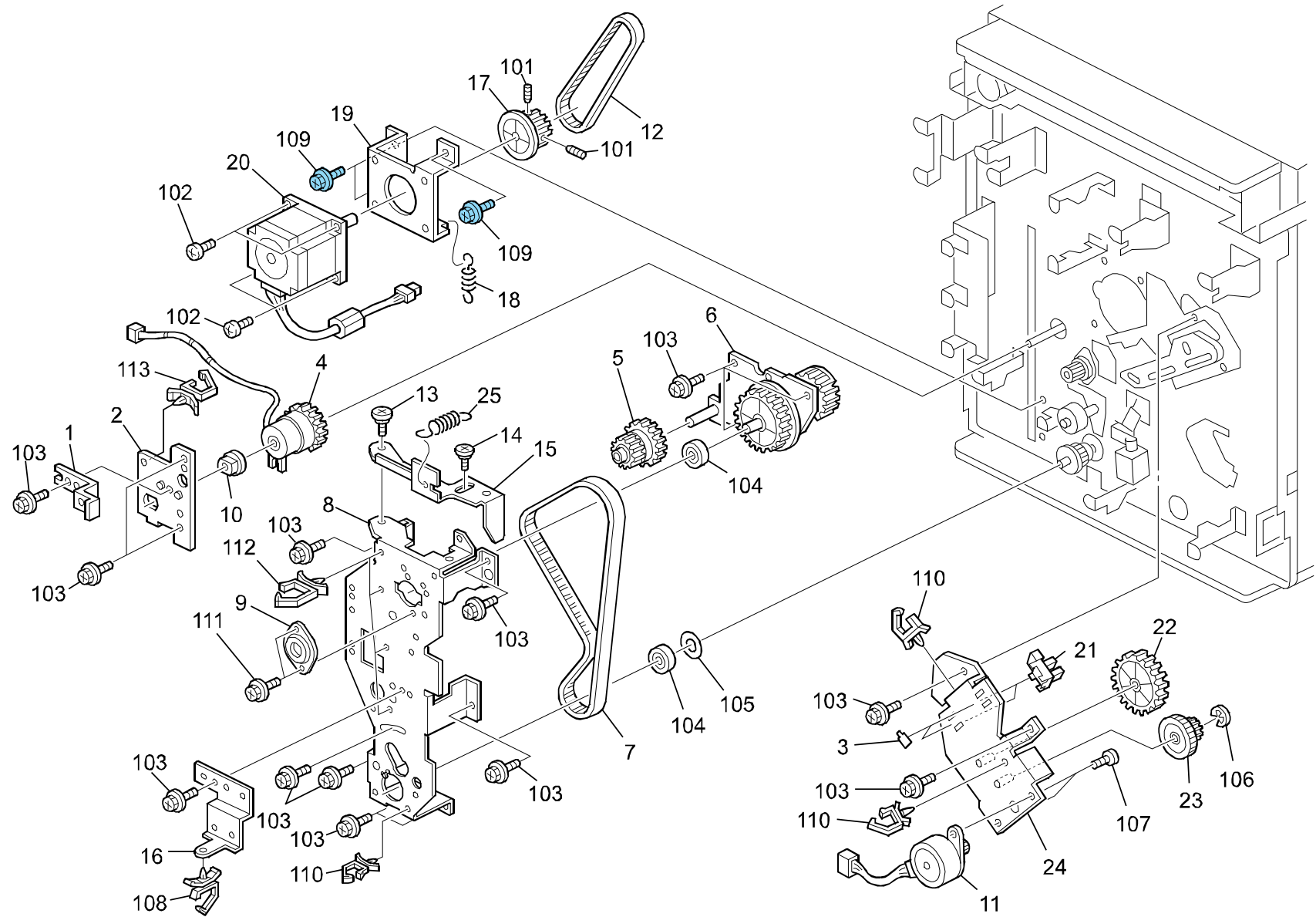


22. Electrical Section 2 (C282)

Index No.	Part No.	Description	Q'ty Per Assembly
1	C282 3733	Button:Master Ejection	1
2	C267 3732	Lever:Open And Close:Master Ejection Unit	1
3	C261 2552	Screw:Slider	4
4	C267 1060	Cover:Side Plate:Machine Or Copier:Front	1
5	C282 5101	Bracket:Spring:Master Ejection	1
6	C267 3738	Spring:Lever:Lower	1
7	C267 3731	Lever:Lower	1
8	C267 3730	Lever:Middle	1
9	C282 5202	Harness:Main Switch:Ass'y	1
10	C267 5650	Bracket:Main Switch	1
11	C275 5685	Bracket:On Off Detector:Door	1
12	C267 2172	Lever:Safety Switch	2
13	C267 5635	Spring Plate:Safety Switch	1
14	C267 3706	Bracket:On Off Detector: Master Ejection Unit	1
15	C261 2611	Bracket:Receptacle	1
16	C238 5651	Total Counter Bracket	1
17	C267 1085	Cover:On Off Detector: Machine Or Copier:Upper	1
18	C267 1074	Bracket:On Off Detector: Machine Or Copier:Plotter	1
19	G020 5626	Push Switch	1
20	C238 2785	Tray Motor Bracket	1
21	C267 2782	DC Motor:Paper Feed Tray	1
22	C267 1321	Bracket:Plate:Cover:Front	1
23	C257 5856	Push Switch	1
24	AX31 0049	Total Counter:7Fig:24V	2
25	C267 2176	Spring Plate:Safety Switch	1
26	C267 3737	Spring:Lever:Middle	1
27	C261 5686	Screw:Round Point:Safety Switch	2
28	C282 5333	Rocker Switch	1
29	C267 5252	Harness:Connecting:Drum:Ass'y	1
30	C244 2633	Stepped Screw	2

Index No.	Part No.	Description	Q'ty Per Assembly
101	1204 2497	Micro Switch	
102	0951 3025N	Screw:Polished Round:M3x25	
103	0353 0060N	Bind Screw - M3x6	
104	0454 4006Q	Tapping Screw:4x6	
105	0951 3014N	Screw Polished Round M3x14	
106	0450 4025N	Tapping Screw:4x25	
107	0451 4006N	Tapping Screw - 4x6	
108	0314 0040N	Pan Head Screw - M4x4	
109	1105 0534	Clamp	

23. Drive Section 1 (C282)

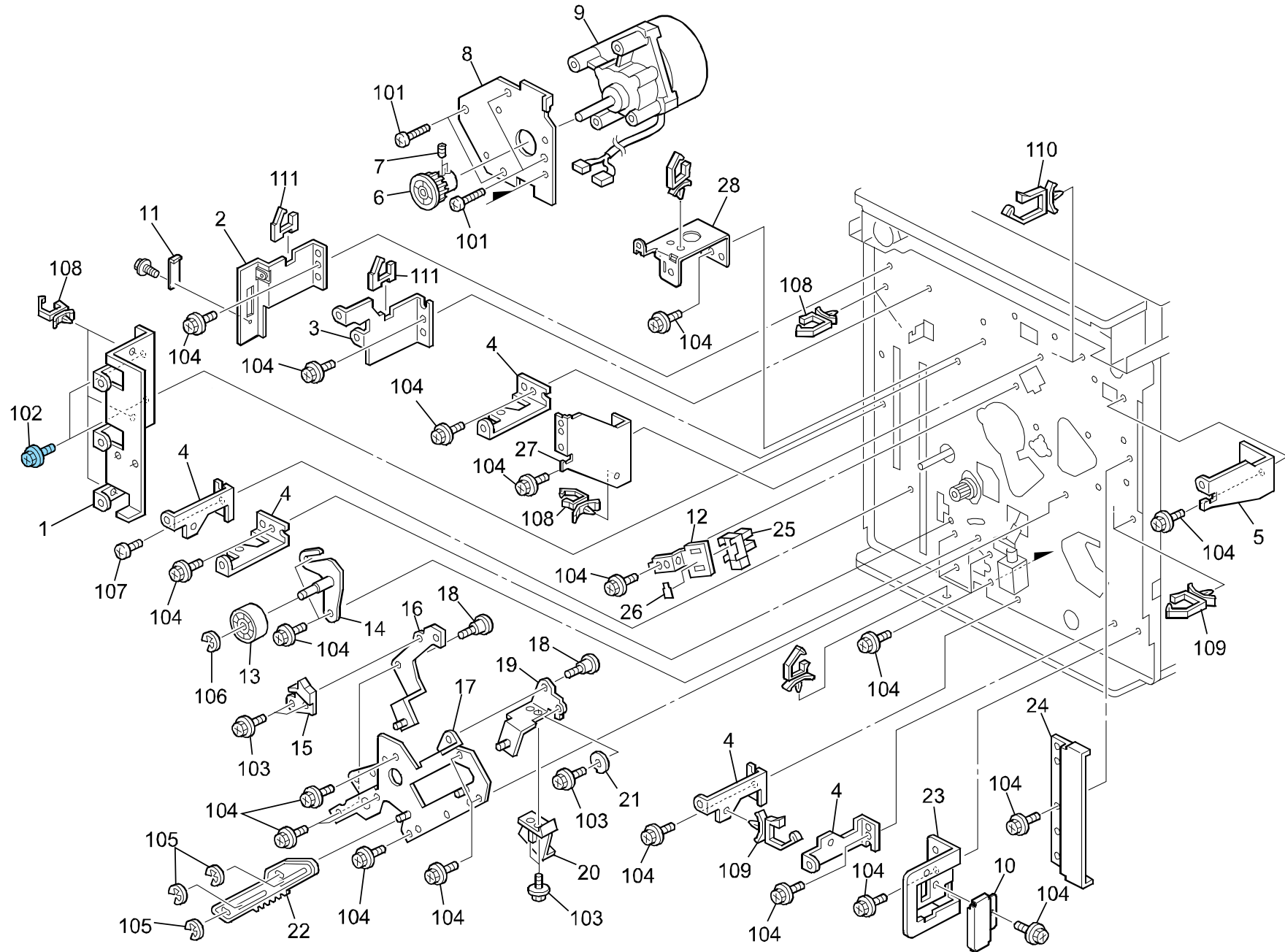


23. Drive Section 1 (C282)

Index No.	Part No.	Description	Q'ty Per Assembly
1	C267 5622	Bracket:Base:Fix	1
2	C261 2817	Bracket:Drive:Paper Feed Roller	1
3	G570 1225	Sensor Shielding Plate	2
4	C261 5879	Magnetic Clutch:Paper Feed Roller	1
5	C252 1179	Pulley:Drive:Paper Feed	1
6	C275 1160	Gear:Drive:Drum:Ass'y	1
7	C275 1180	Timing Belt:Drive:Main	1
8	C275 1172	Side Plate:Drum Drive Sub-unit	1
9	C261 1171	Bearing Case	1
10	5053 0447	Bushing - 6mm	1
11	C259 5821	Stepper Motor:DIA42:Plotter:Ass'y	1
12	C274 2948	Timing Belt:Paper Feed:140-XL-050	1
13	AA14 3802	Screw:6x1.7	1
14	C244 4426	Shoulder Screw	1
15	C275 1173	Stopper:Gear:Remover/Install	1
16	C275 1177	Spacer:Power Supply Unit	1
17	C252 2888	Pulley:Stepper Motor:Feed:23Z	1
18	C267 2885	Tension Spring:Bracket:Stepper Motor	1
19	C261 2887	Bracket:Stepper Motor:Feed	1
20	C257 5817	Stepper Motor MM56x64	1
21	AW02 0203	Photointerruptor	2
22	C252 4068	Gear:Drive:Rack	1
23	C252 4069	Gear:Slow Down	1
24	C261 4064	Side Plate:Drive Sub-unit:Clamp	1
25	C275 1174	Tension Spring:Lock:Gear:Remover/Install	1

Index No.	Part No.	Description	Q'ty Per Assembly
101	0574 0080E	Hexagon Headless Set Screw - M4x8	
102	0354 0080N	Screw:M4x8	
103	0451 4006N	Tapping Screw - 4x6	
104	0740 3010	Ball Bearing - 10x26x8mm	
105	0807 7046	Washer - 10.5x20x0.2mm	
106	0720 0040E	Retaining Ring - M4	
107	0353 0060N	Bind Screw - M3x6	
108	1105 0508	Harness Clamp - LWS-0711	
109	0454 4006Q	Tapping Screw:4x6	
110	1105 0534	Clamp	
111	0451 3006N	Tapping Screw - 3x6	
112	1105 0489	Harness Clamp - LWS 1316	
113	1105 0511	Harness Clamp - LWS-0306ZC	

24. Drive Section 2 (C282)

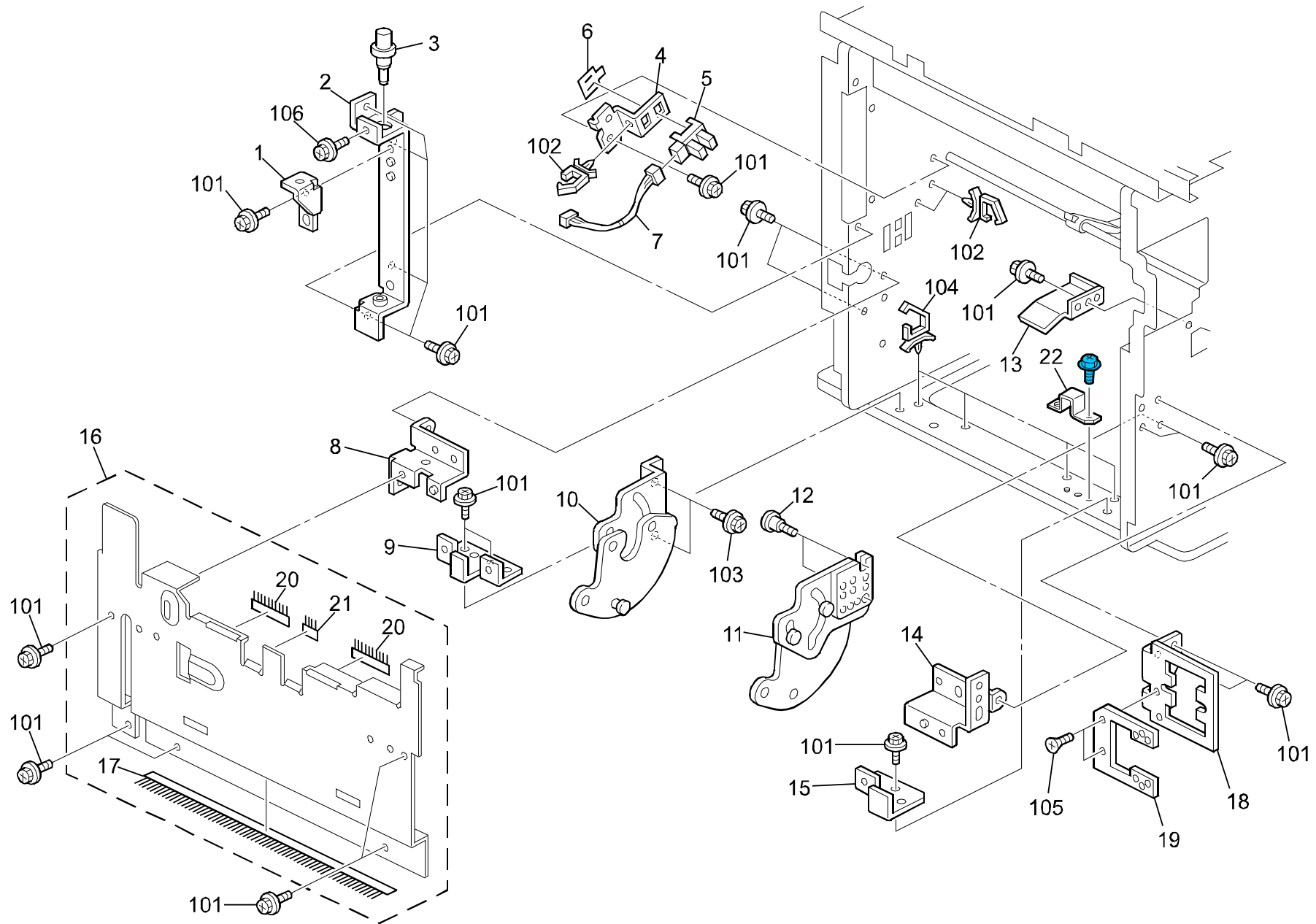


24. Drive Section 2 (C282)

Index No.	Part No.	Description	Q'ty Per Assembly
1	C267 5623	Bracket:Base:Guard	1
2	C282 5614	Bracket:SD-Card:Front	1
3	C275 5616	Bracket:UC2:Rear	1
4	C267 5616	Bracket:Fix:Power Supply Unit	5
5	C267 5617	Bracket:Fix:Power Supply Uni:Upper	1
6	C252 1152	Timing Pulley:Drive:Main	1
7	C252 1195	Hexagonal Set Screw:M5x8	2
8	C267 1185	Base:Brushless Motor:Main	1
9	C267 5890	Brushless Motor:Main:DC24V	1
10	C279 5631	Cover:Guard:Tape Mark (AA, NA, CHN)	1
11	C282 5639	Cover:No.1	1
12	C261 5610	Bracket:Home Position Sensor	1
13	C252 1154	Roller:Belt Tensioner:Ass'y	1
14	C275 1156	Shaft:Belt Tensioner:Ass'y	1
15	C252 4063	Guide:Clamp:Master Feed	1
16	C261 4055	Lever:Drive:Master Feed:Peen	1
17	C261 4001	Base:Clamp:Open And Close:Ass'y	1
18	C244 4426	Shoulder Screw	2
19	C261 4059	Lever:Drive:Master Ejection:Peen	1
20	C252 4062	Guide:Positioning:Drum	1
21	C238 4070	Eject Clamp Pusher	1
22	C252 4052	Rack:Drive:Clamp	1
23	C279 5630	Bracket:Connector:Tape Mark (AA, NA, CHN)	1
24	C267 3716	Inner Cover:Open And Close	1
25	AW02 0203	Photointerruptor	1
26	G570 1225	Sensor Shielding Plate	1
27	C275 5619	Bracket:Fix:Power Supply Unit:Upper	1
28	C282 5617	Bracket:Fix:MPU:Upper	1

Index No.	Part No.	Description	Q'ty Per Assembly
101	0315 0200N	Pan Head Screw:M5x20	
102	0454 4006Q	Tapping Screw:4x6	
103	0451 3006N	Tapping Screw - 3x6	
104	0451 4006N	Tapping Screw - 4x6	
105	0720 0040E	Retaining Ring - M4	
106	0720 0060E	Retaining Ring - M6	
107	0314 0040N	Pan Head Screw - M4x4	
108	1105 0534	Clamp	
109	1105 0508	Harness Clamp - LWS-0711	
110	1105 0490	Harness Clamp - IWS-2218	
111	1105 0522	Edge Saddle - LES0510	

25.Frame Section 1 (C282)

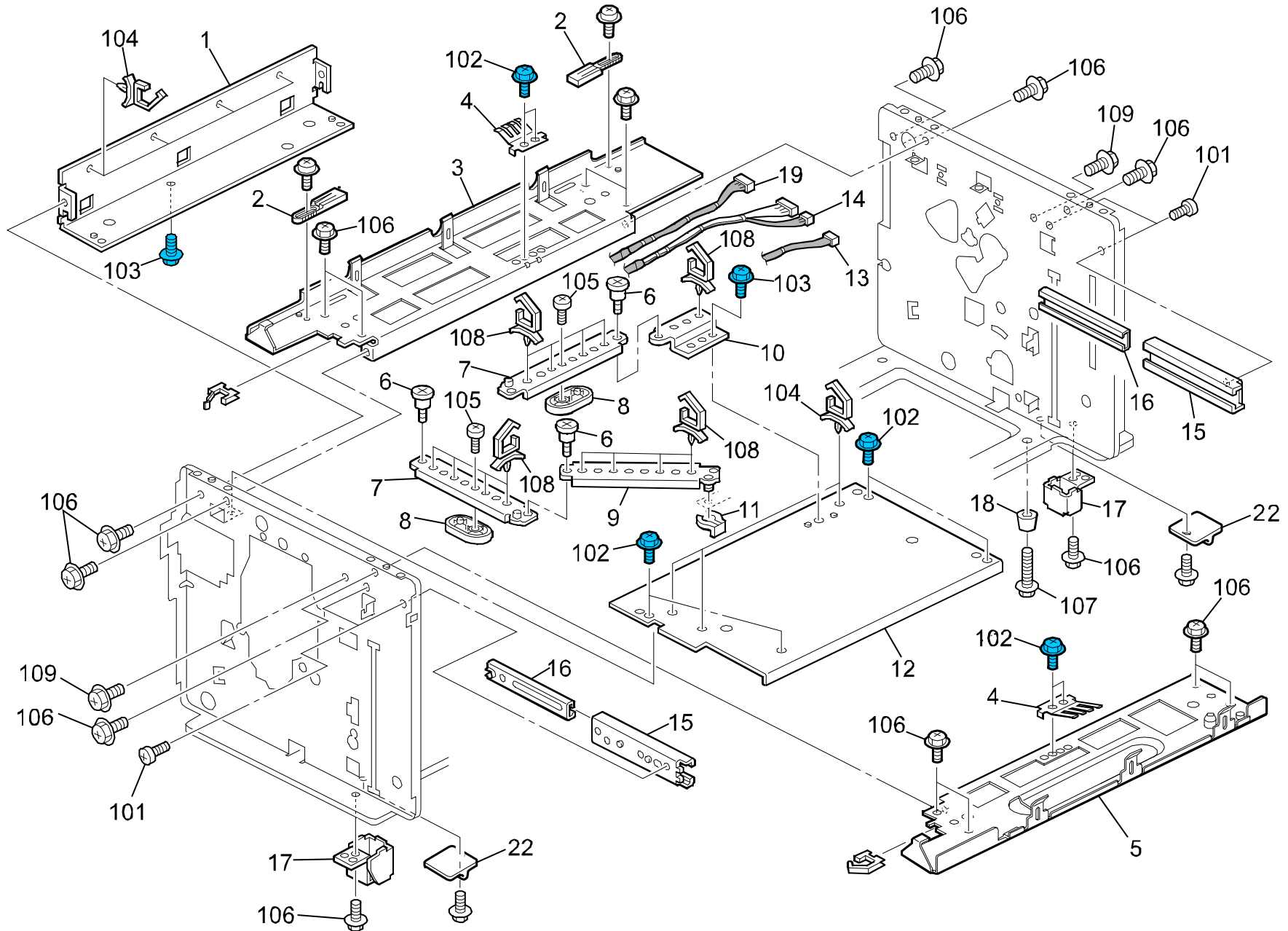


25. Frame Section 1 (C282)

Index No.	Part No.	Description	Q'ty Per Assembly
1	C267 3714	Bracket:Contact Point:Fix: Master Ejection Unit:Middle	1
2	C267 3704	Bracket:Contact Point:Fix: Master Ejection Unit	1
3	C267 3713	Shaft:Contact Point:Master Ejection:Upper	1
4	C267 5612	Bracket:Sensor:Misfeed Removal	1
5	AW02 0203	Photointerruptor	1
6	G570 1225	Sensor Shielding Plate	1
7	C282 5231	Harness:Master Ejecting:Sensor:Ass'y	1
8	C267 3882	Bracket:Drum Stay:Paper Exit Sub-unit:Rear	1
9	C267 3884	Bracket:Drum Stay:Exit:Lower Rear	1
10	C267 4441	Remover/Install Sub-unit:Exit:Rear:Peen	1
11	C267 4431	Remover/Install Sub-unit:Exit:Front:Peen	1
12	C238 4450	Hinge Screw	2
13	C267 3717	Supporter:Master Ejection Unit	1
14	C267 3881	Bracket:Drum Stay:Paper Exit Sub-unit:Front	1
15	C267 3883	Bracket:Drum Stay:Exit:Lower Front	1
16	C275 3801	Drum Stay:Paper Exit Sub-unit:Ass'y	1
17	C267 3888	Discharge Brush:Drum Stay:Exit:Lower	1
18	C267 5652	Bracket:Key Counter	1
19	C238 1339	Key Counter Plate Nut	1
20	C261 3885	Discharge Brush:Long:Paper Exit	2
21	C261 3886	Discharge Brush:Short:Paper Exit	1
22	C279 1086	Cover:Safety:Base:Upper	1

Index No.	Part No.	Description	Q'ty Per Assembly
101	0451 4006N	Tapping Screw - 4x6	
102	1105 0534	Clamp	
103	0451 4008N	Tapping Screw:4x8	
104	1105 0508	Harness Clamp - LWS-0711	
105	0323 0100N	Screw M3x10	
106	0451 3006N	Tapping Screw - 3x6	

26. Frame Section 2 (C282)


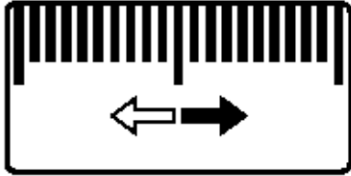



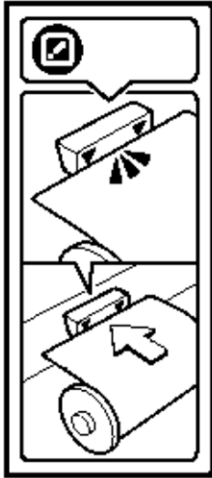
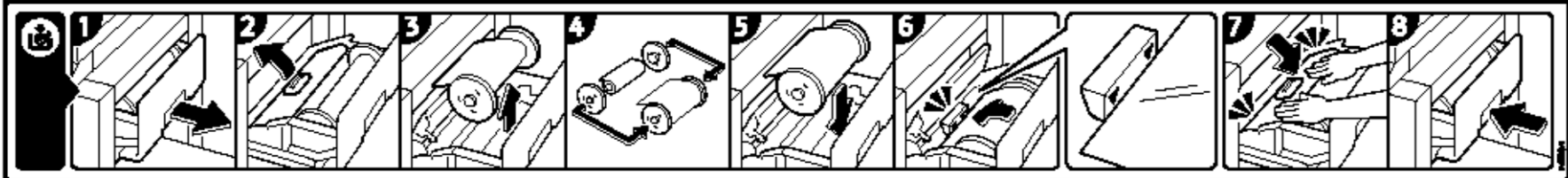


26. Frame Section 2 (C282)

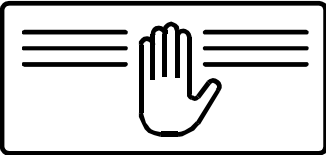
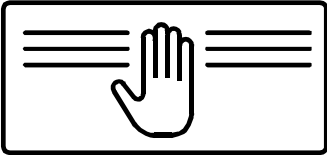
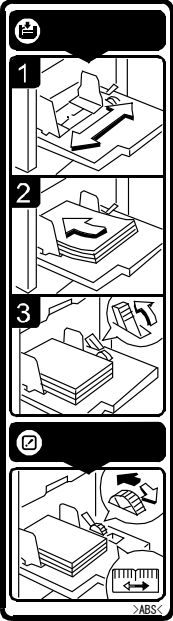
Index No.	Part No.	Description	Q'ty Per Assembly
1	C267 1075	Cover:Harness:Operation Panel:Upper Left	1
2	C282 1062	Adjutting Pin:Scanner Unit:Upper Lower	2
3	C282 1058	Stay:Machine Or Copier:Scanner Unit:Left	2
4	C267 2958	Ground Plate:Cover:Stay:Paper Feed	2
5	C282 1053	Stay:Main:Scanner:Right:Ass'y	1
6	C267 1079	Screw:DIA4	3
7	C267 1077	Link:Machine Or Copier:Plotter:Front:Peen	2
8	C267 1082	Slider:Harness:Machine Or Copier:Plotter	2
9	C267 1087	Link:Machine Or Copier:Plotter: Inner Back:Peen	1
10	C267 1076	Bracket:Link:Lower	1
11	5447 2681	Snap Ring	1
12	C267 1081	Cover:Harness:Operation Panel:2	1
13	C282 5245	Harness:Connecting:Cutter Unit:Ass'y	1
14	C282 5242	Harness:Connecting:Plotter:1:Ass'y	1
15	C267 2275	Rail:Plotter:Outer	2
16	C282 2276	Slide Rail:Plotter:Middle	2
17	C267 1070	Guard:Rack:Paper Feed Tray	2
18	C238 1057	Rubber Foot	4
19	C282 5244	Harness:Connecting:Plotter:2:Ass'y	1

Index No.	Part No.	Description	Q'ty Per Assembly
101	0314 0040N	Pan Head Screw - M4x4	
102	0454 4006Q	Tapping Screw:4x6	
103	0454 3006Q	Tapping Screw - M3x6	
104	1105 0488	Harness Clamp	
105	0452 3006N	Binding Self-tapping Screw:3x6	
106	0451 4006N	Tapping Screw - 4x6	
107	0951 4020N	Screw - M4x20	
108	1105 0489	Harness Clamp - LWS 1316	
109	0451 4008N	Tapping Screw:4x8	

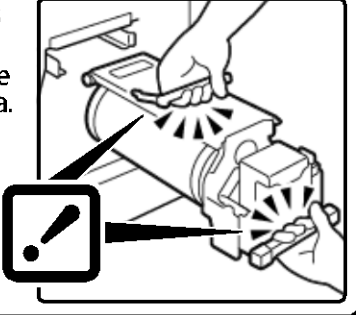





27. Decals and Documents (C282)

<p>1</p>  <p>For Europe: Imported by Ricoh Europe PLC 20 Triton Street, London, NW1 3BF, U.K. For Asia Pacific: Imported by Ricoh Asia Pacific Subsidiary Or Ricoh Asia Pacific Authorised Partner</p>	<p>2</p> 	<p>3</p> 
<p>4</p>  <p>CAUTION ACHTUNG ATTENTION ATTENZIONE PRECAUCIÓN 注意</p>	<p>5</p>  <p>开 关</p>	<p>6</p> 
<p>7</p> 		


27. Decals and Documents (C282)

<p>8</p> <p>SD375</p> <p>DD 3324</p>	<p>DD 3334</p> <p>CP 6303c</p>	<p>DD 3344</p> <p>DD 3344c</p>		
<p>9</p> 	<p>10</p> 	<p>12</p> 		
<p>11</p> <table border="0"> <tr> <td data-bbox="255 1246 714 1326"> <p>供纸器</p> <p>厚纸 标准纸 薄纸</p> </td> <td data-bbox="835 1246 1294 1326"> <p>Feeder</p> <p>Thick paper Standard Thin paper</p> </td> </tr> </table>		<p>供纸器</p> <p>厚纸 标准纸 薄纸</p>	<p>Feeder</p> <p>Thick paper Standard Thin paper</p>	
<p>供纸器</p> <p>厚纸 标准纸 薄纸</p>	<p>Feeder</p> <p>Thick paper Standard Thin paper</p>			

27. Decals and Documents (C282)

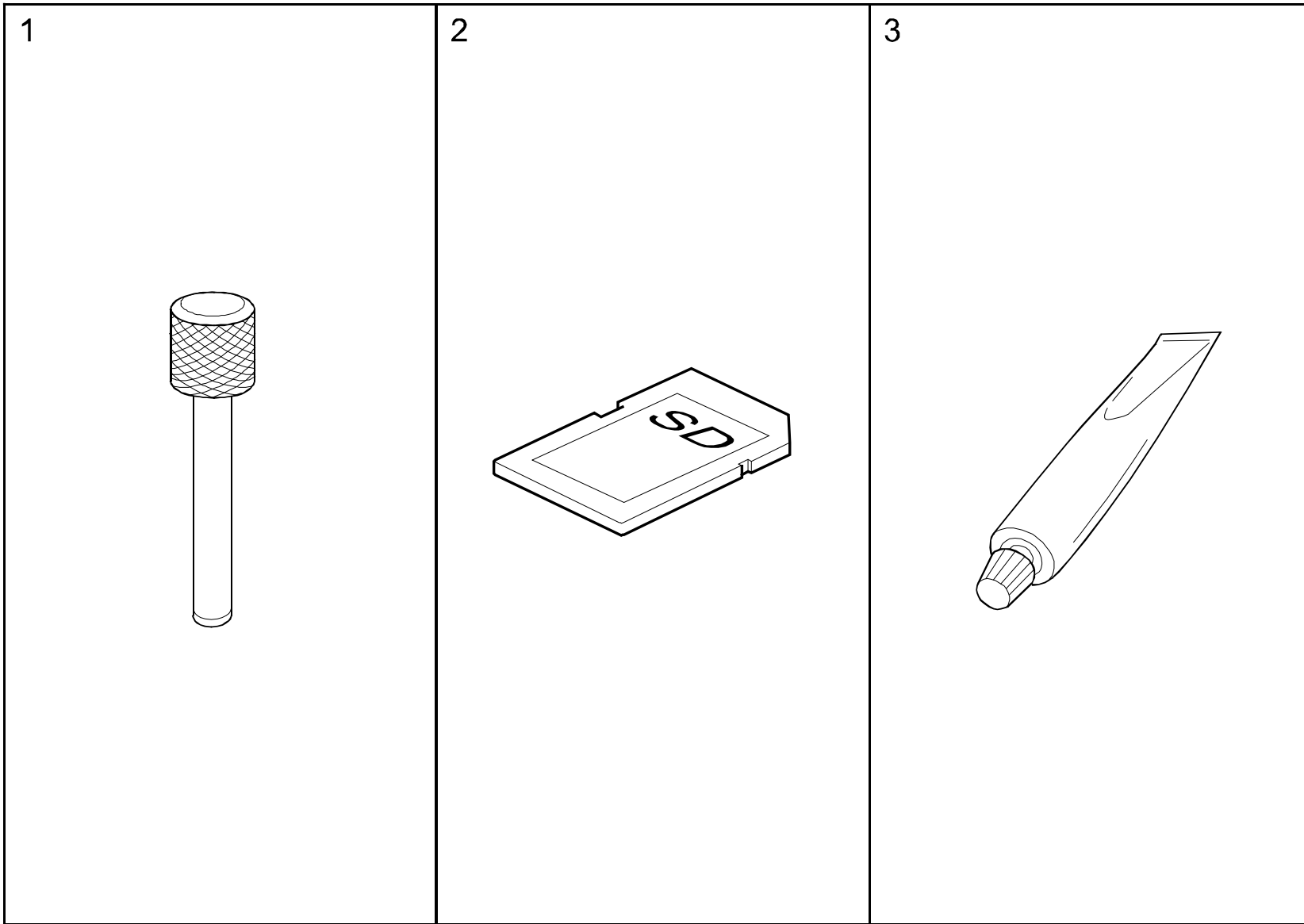
<p>13</p> <ul style="list-style-type: none"> • Pull out the drum unit, holding the handle with both hands. • Die Trommleinheit herausziehen und mit beiden Händen festhalten. • Sortez le tambour en tenant les poignées avec les deux mains. • Estrarre il tamburo utilizzando le due impugnature come da figura. • Estire la unidad del tambor, sujetando las asas con ambas manos. • 抽出印筒時、請用雙手握著手柄 • ドラムは、取っ手を両手でしっかりと持って引き抜いてください。 	<p>16</p> <div style="border: 1px solid black; padding: 5px;">  <p>WARNING ATTENTION WARNUNG AVVISIO AVISO 警告</p> <ul style="list-style-type: none"> • To avoid injury, do not touch moving parts or insert your fingers in the opening during machine operation. To de-energize moving parts, open the front cover. • Afin d'éviter des blessures, ne pas toucher de pièces en mouvement ou insérer vos doigts dans l'ouverture en cours d'utilisation. Pour arrêter le fonctionnement du magasin, ouvrir le carter frontal. • Verletzungsgefahr! Bei Betrieb nicht in die Öffnung greifen. Um bewegliche Teile stromlos zu schalten, Frontklappe öffnen. • Per evitare incidenti, non toccare le parti in movimento o mettere le dita nell'apertura mentre la macchina è in funzione. Per togliere l'energia elettrica alle parti in movimento, aprire il coperchio frontale del cassetto. • Para evitar dañarse, no toque las partes móviles ni ponga sus dedos en la abertura, mientras la máquina esté en funcionamiento. Para desactivar las partes móviles, abra la cubierta frontal. • 为避免受伤，当机器运转时请勿接触运转部件，也不要把手指伸入机器的开口处。打开前盖，运转部将自动停止。 </div>	<p>17</p> <div style="border: 1px solid black; padding: 5px;">  <p>WARNING ATTENTION WARNUNG AVVISIO AVISO 警告</p> <ul style="list-style-type: none"> • To avoid injury, do not touch moving parts or insert your fingers in the opening during machine operation. To de-energize moving parts, open the front cover. • Afin d'éviter des blessures, ne pas toucher de pièces en mouvement ou insérer vos doigts dans l'ouverture en cours d'utilisation. Pour arrêter le fonctionnement du magasin, ouvrir le carter frontal. • Verletzungsgefahr! Bei Betrieb nicht in die Öffnung greifen. Um bewegliche Teile stromlos zu schalten, Frontklappe öffnen. • Per evitare incidenti, non toccare le parti in movimento o mettere le dita nell'apertura mentre la macchina è in funzione. Per togliere l'energia elettrica alle parti in movimento, aprire il coperchio frontale del cassetto. • Para evitar dañarse, no toque las partes móviles ni ponga sus dedos en la abertura, mientras la máquina esté en funcionamiento. Para desactivar las partes móviles, abra la cubierta frontal. • 为避免受伤，当机器运转时请勿接触运转部件，也不要把手指伸入机器的开口处。打开前盖，运转部将自动停止。 </div>
<p>14</p> 	<p>15</p> 	
<p>18</p> 		
<p>19</p> <div style="display: flex; justify-content: space-around; align-items: center;"> <div style="border: 1px solid black; padding: 10px 20px; font-size: 24px; font-weight: bold;">RICOH</div> <div style="border: 1px solid black; padding: 10px 20px; font-size: 24px; font-weight: bold;">Gestetner</div> <div style="border: 1px solid black; width: 150px; height: 40px;"></div> </div>		

27. Decals and Documents (C282)

Index No.	Part No.	Description	Q'ty Per Assembly
1	C282 1395	Decal:AA:Safety:ABS	1
2	C282 2967	Decal:Adjustment Scale:Move:Paper Feed	1
3	D074 2541	Decal:Arrow Label	1
4	C282 4441	Decal:Caution:Exit	1
5	C282 1396	Decal Main Switch:CHN:PS	1
6	C282 1331	Decal:Master Set Instructions:Stopper Guide	1
7	C282 1391	Decal:Master Set Instructions:ABS	1
8	C282 1382	Decal:Name Plate:STD	1
8	C282 1383	Decal:Name Plate:DD3334	1
8	C282 1384	Decal Name Plate:DD3344	1
8	C282 1385	Decal:Name Plate:DD3324	1
8	C282 1386	Decal:Name Plate:CP6303C	1
8	C282 1387	Decal:Name Plate:DD3344C	1
9	C252 1971	Decal:Open And Close:Plotter:Left	1
10	C252 1972	Decal:Open And Close:Plotter:Left	1
11	C282 2996	Decal:Paper Feed Pressure	1
11	C282 2995	Decal:Paper Feed Pressure:English	1
12	C279 2996	Decal:Paper Set Direction	1
13	C282 2524	Decal:Pull Out:Drum	1
14	M125 6835	Decal:Warning:2000M	1
15	C279 1330	Decal:Paper Feed Tray	1
16	C279 1314	Decal:Warning:Paper Feed:EXP	1
17	C279 1392	Decal:Warning:Paper Feed:EXP:PS	1
18	C282 2998	Decal:Size Indication:Paper Feed	1
19	D120 1551	Sheet:Logo	1
19	D120 1557	Sheet:Logo:GES	1
19	C279 1523	Sheet:Logo:No Brand	1
			

Index No.	Part No.	Description	Q'ty Per Assembly

28. Special Tools (C282)



28. Special Tools (C282)

Index No.	Part No.	Description	Q'ty Per Assembly
1	A006 9104	Scanner Positioning Pin (4pcs/set)	1
2	B645 5020	SD-Card:Service:1GB:Ass'y	1
3	A069 9502	Alvania 2 Grease	1

Index No.	Part No.	Description	Q'ty Per Assembly
-----------	----------	-------------	-------------------

Parts Index

PM Parts Index

Section Name	Part No.	Description in Service Manual	Description in Parts Catalog	Q'ty Per Assembly	Page and Index No.
Paper Registration 1 (C282)	C267 2802	Roller:Paper Feed:Ass'y	Roller:Paper Feed:Ass'y	2	21 - 4
Paper Registration 1 (C282)	C267 2819	Separation Pad:Ass'y	Separation Pad:Ass'y	1	21 - 27
Paper Registration 1 (C282)	C267 2820	Separation Pad:CHN:Ass'y	Separation Pad:CHN:Ass'y	1	21 - 27
Press Roller Section (C282)	C267 3050	Pressure Roller:B4:Ass'y	Pressure Roller:B4:Ass'y	1	33 - 16
Press Roller Section (C282)	C267 3052	Pressure Roller:A4/LG:Ass'y	Pressure Roller:A4/LG:Ass'y	1	33 - 16
Drum Unit 1 (C282)	C252 2340	Screen:B4:Ass'y	Screen:B4:Ass'y	1	35 - 39
Drum Unit 1 (C282)	C252 2341	Screen:LG:Ass'y	Screen:LG:Ass'y	1	35 - 39
Drum Unit 1 (C282)	C267 2342	Screen:A4:Ass'y	Screen:A4:Ass'y	1	35 - 39
Vacuume Fan Unit (C282)	C261 3879	Transport Belt:Hale Unit:17	Transport Belt:Hale Unit:17	2	41 - 1

Parts Index

Part No.	Description	Page and Index No.
0314 0040N	Pan Head Screw - M4x4	19 - 106
0314 0040N	Pan Head Screw - M4x4	21 - 111
0314 0040N	Pan Head Screw - M4x4	51 - 108
0314 0040N	Pan Head Screw - M4x4	55 - 107
0314 0040N	Pan Head Screw - M4x4	57 - 101
0314 0080Z	Philips Screw - 4x8	39 - 107
0315 0200N	Pan Head Screw:M5x20	55 - 101
0323 0100N	Screw M3x10	57 - 105
0352 0080P	Screw M2x8	31 - 108
0353 0040N	Screw - M3x4	9 - 104
0353 0040N	Screw - M3x4	27 - 103
0353 0040N	Screw - M3x4	31 - 102
0353 0040N	Screw - M3x4	45 - 106
0353 0050Z	Philips Truss Head Screw - M3x5	35 - 104
0353 0050Z	Philips Truss Head Screw - M3x5	39 - 101
0353 0060N	Bind Screw - M3X6	15 - 101
0353 0060N	Bind Screw - M3x6	23 - 103
0353 0060N	Bind Screw - M3x6	27 - 105
0353 0060N	Bind Screw - M3x6	33 - 113
0353 0060N	Bind Screw - M3x6	41 - 106
0353 0060N	Bind Screw - M3x6	45 - 111
0353 0060N	Bind Screw - M3x6	47 - 103
0353 0060N	Bind Screw - M3x6	51 - 103
0353 0060N	Bind Screw - M3x6	53 - 107
0353 0080Z	Philips Tress Head Screw - M3x8	35 - 108
0353 0100Z	Bind Screw - M3x10	39 - 112
0353 0120N	Screw M3x12	21 - 101
0354 0040N	Screw-M4x4	33 - 107
0354 0040Z	Screw - M4x4	35 - 109
0354 0040Z	Screw - M4x4	37 - 114
0354 0060Z	Philips Truss Head Screw - M4x6	37 - 104
0354 0060Z	Philips Truss Head Screw - M4x6	39 - 113
0354 0080N	Screw:M4x8	53 - 102
0354 0350N	Screw M4x35	45 - 105
0354 0450N	Screw:M4x45	41 - 103

Part No.	Description	Page and Index No.
0450 3006N	Tapping Screw - M3x6	19 - 110
0450 3006N	Tapping Screw - M3x6	21 - 112
0450 3006N	Tapping Screw - M3x6	45 - 104
0450 3008N	Tapping Screw - M3x8	19 - 109
0450 3008N	Tapping Screw - M3x8	29 - 104
0450 3008N	Tapping Screw - M3x8	43 - 101
0450 3008N	Tapping Screw 3x8	45 - 103
0450 3008Z	Tapping Screw - M3x8	37 - 105
0450 3008Z	Tapping Screw - M3x8	39 - 109
0450 3012N	Tapping Screw:3x12	43 - 105
0450 4006N	Tapping Screw:4x6	35 - 107
0450 4008N	Tapping Screw - M4x8	19 - 108
0450 4008N	Tapping Screw - M4x8	41 - 102
0450 4008N	Tapping Screw - M4x8	43 - 102
0450 4010N	Tapping Screw:M4x10	9 - 102
0450 4025N	Tapping Screw:4x25	51 - 106
0451 3006N	Tapping Screw - 3x6	9 - 105
0451 3006N	Tapping Screw - 3x6	25 - 103
0451 3006N	Tapping Screw - 3x6	27 - 101
0451 3006N	Tapping Screw - 3x6	29 - 101
0451 3006N	Tapping Screw - 3x6	31 - 101
0451 3006N	Tapping Screw - 3x6	45 - 107
0451 3006N	Tapping Screw - 3x6	47 - 105
0451 3006N	Tapping Screw - 3x6	49 - 102
0451 3006N	Tapping Screw - 3x6	53 - 111
0451 3006N	Tapping Screw - 3x6	55 - 103
0451 3006N	Tapping Screw - 3x6	57 - 106
0451 3008N	Tapping Screw - M3x8	9 - 103
0451 3008N	Tapping Screw - M3x8	29 - 105
0451 3008N	Tapping Screw - M3x8	43 - 103
0451 3008N	Tapping Screw - M3x8	45 - 112
0451 4006N	Tapping Screw - 4x6	21 - 113
0451 4006N	Tapping Screw - 4x6	23 - 104
0451 4006N	Tapping Screw - 4x6	25 - 102
0451 4006N	Tapping Screw - 4x6	27 - 104

Part No.	Description	Page and Index No.
0451 4006N	Tapping Screw - 4x6	33 - 109
0451 4006N	Tapping Screw - 4x6	43 - 104
0451 4006N	Tapping Screw - 4x6	49 - 101
0451 4006N	Tapping Screw - 4x6	51 - 107
0451 4006N	Tapping Screw - 4x6	53 - 103
0451 4006N	Tapping Screw - 4x6	55 - 104
0451 4006N	Tapping Screw - 4x6	57 - 101
0451 4006N	Tapping Screw - 4x6	57 - 106
0451 4008N	Tapping Screw:4x8	9 - 101
0451 4008N	Tapping Screw:4x8	21 - 114
0451 4008N	Tapping Screw:4x8	25 - 113
0451 4008N	Tapping Screw:4x8	27 - 106
0451 4008N	Tapping Screw:4x8	33 - 112
0451 4008N	Tapping Screw:4x8	41 - 101
0451 4008N	Tapping Screw:4x8	57 - 103
0451 4008N	Tapping Screw:4x8	57 - 109
0451 4010N	Tapping Screw:4x10	21 - 109
0451 4010N	Tapping Screw:4x10	23 - 102
0452 3006N	Binding Self-tapping Screw:3x6	37 - 106
0452 3006N	Binding Self-tapping Screw:3x6	57 - 105
0452 3008N	Tapping Screw - M3x8	11 - 101
0453 3006N	Tapping Screw - M3x6	23 - 105
0453 3006N	Tapping Screw - M3x6	25 - 112
0453 3006N	Tapping Screw - M3x6	31 - 110
0454 3006Q	Tapping Screw - M3x6	21 - 108
0454 3006Q	Tapping Screw - M3x6	23 - 101
0454 3006Q	Tapping Screw - M3x6	27 - 102
0454 3006Q	Tapping Screw - M3x6	31 - 103
0454 3006Q	Tapping Screw - M3x6	45 - 101
0454 3006Q	Tapping Screw - M3x6	57 - 103
0454 3008Q	Tapping Screw:3x8	45 - 102
0454 4006Q	Tapping Screw:4x6	23 - 106
0454 4006Q	Tapping Screw:4x6	51 - 104
0454 4006Q	Tapping Screw:4x6	53 - 109
0454 4006Q	Tapping Screw:4x6	55 - 102

Part No.	Description	Page and Index No.
0454 4006Q	Tapping Screw:4x6	57 - 102
0574 0040E	Hexagon Headless Set Screw - M4x4	21 - 106
0574 0040E	Hexagon Headless Set Screw - M4x4	29 - 103
0574 0040E	Hexagon Headless Set Screw - M4x4	39 - 105
0574 0050E	Hexagon Headless Set Screw - M4x5	25 - 101
0574 0080E	Hexagon Headless Set Screw - M4x8	53 - 101
0584 0121N	Hexagonal Head Bolt:M4x12	33 - 102
0592 0040E	Hexagonal Set Screw:M2x4	37 - 113
0593 0040E	Hexagonal Set Screw:M3x4	33 - 106
0593 0060Z	Hexagon Bolt - M3x6	37 - 115
0593 0080E	Bolt - M3x8	33 - 101
0593 0100Z	Bolt M3x10	37 - 107
0594 0060Z	Hexagon Socket Bolt - M4x6	35 - 106
0594 0080N	Hexagonal Set Screw - M4x8	19 - 102
0594 0080N	Hexagonal Set Screw - M4x8	25 - 106
0594 0080Z	Bolt - M4x8	37 - 108
0594 0080Z	Bolt - M4x8	39 - 104
0624 0160E	Spring Pin - 4x16mm	21 - 107
0633 0140G	Parallel Pin - 3x14	41 - 105
0633 0160G	Parallel Pin - 3x16mm	21 - 105
0701 0030N	Washer DIA3	33 - 104
0701 0040N	Washer:DIA4	19 - 101
0701 0040N	Washer:DIA4	25 - 111
0701 0060N	Washer DIA6	25 - 110
0710 0040N	Hexagonal Nut:M4	33 - 103
0720 0020E	Retaining Ring - M2	37 - 101
0720 0030E	Retaining Ring - M3	21 - 102
0720 0030E	Retaining Ring - M3	31 - 104
0720 0040E	Retaining Ring - M4	19 - 105
0720 0040E	Retaining Ring - M4	21 - 110
0720 0040E	Retaining Ring - M4	23 - 109
0720 0040E	Retaining Ring - M4	25 - 108
0720 0040E	Retaining Ring - M4	29 - 102
0720 0040E	Retaining Ring - M4	31 - 105
0720 0040E	Retaining Ring - M4	33 - 111

Part No.	Description	Page and Index No.
0720 0040E	Retaining Ring - M4	35 - 103
0720 0040E	Retaining Ring - M4	47 - 102
0720 0040E	Retaining Ring - M4	53 - 106
0720 0040E	Retaining Ring - M4	55 - 105
0720 0050G	Retaining Ring - M5	39 - 108
0720 0060E	Retaining Ring - M6	19 - 104
0720 0060E	Retaining Ring - M6	33 - 110
0720 0060E	Retaining Ring - M6	35 - 101
0720 0060E	Retaining Ring - M6	41 - 104
0720 0060E	Retaining Ring - M6	55 - 106
0720 0070E	Retaining Ring - M7	21 - 104
0720 0080E	Retaining Ring - M8	21 - 103
0720 0080E	Retaining Ring - M8	25 - 109
0720 0080E	Retaining Ring - M8	33 - 108
0725 0160E	Retaining Ring C - M16	39 - 103
0740 3008	Ball Bearing - 8x22x7	25 - 104
0740 3010	Ball Bearing - 10x26x8mm	53 - 104
0741 3706	Ball Bearing - 6x10x3	25 - 107
0804 6091	Hexagonal Set Screw - M2x5	37 - 110
0805 0106	Retaining Rings-E:Silencer:DIA6	17 - 101
0805 3385	Bushing - 6mm	47 - 101
0807 5049	Wave Washer - 8 mm	35 - 105
0807 7046	Washer - 10.5x20x0.2mm	53 - 105
0807 7114	Washer - 16x24x0.3mm	37 - 109
0807 7114	Washer - 16x24x0.3mm	39 - 102
0808 0021	Rubber Ring	37 - 111
0951 3006Z	Philips Screw With Flat Washer - M3	37 - 112
0951 3006Z	Philips Screw With Flat Washer - M3	39 - 111
0951 3008Z	Philips Screw With Flat Washer - M3	37 - 103
0951 3012N	Screw:Polished Round:M3x12	19 - 103
0951 3014N	Screw Polished Round M3x14	51 - 105
0951 3025N	Screw:Polished Round:M3x25	51 - 102
0951 4006Z	Philips Screw With Flat Washer - M4	39 - 106
0951 4020N	Screw - M4x20	57 - 107
0954 3006N	Screw - M3x6	49 - 103

Part No.	Description	Page and Index No.
0954 3008N	Screw - M3x8	47 - 104
0954 4006Z	Screw - M4x6	35 - 102
1102 6088	Inlet- AC -P03CS05 (EU, NA)	49 - 106
1102 8797	Connector:1-292215-4	23 - 110
1105 0328	Harness Clamp - ES-0505	31 - 107
1105 0328	Harness Clamp - ES-0505	45 - 108
1105 0488	Harness Clamp	27 - 108
1105 0488	Harness Clamp	31 - 106
1105 0488	Harness Clamp	45 - 110
1105 0488	Harness Clamp	57 - 104
1105 0489	Harness Clamp - LWS 1316	57 - 108
1105 0489	Harness Clamp - LWS 1316	53 - 112
1105 0490	Harness Clamp - IWS-2218	55 - 110
1105 0508	Harness Clamp - LWS-0711	33 - 105
1105 0508	Harness Clamp - LWS-0711	45 - 109
1105 0508	Harness Clamp - LWS-0711	47 - 106
1105 0508	Harness Clamp - LWS-0711	53 - 108
1105 0508	Harness Clamp - LWS-0711	55 - 109
1105 0508	Harness Clamp - LWS-0711	57 - 104
1105 0511	Harness Clamp - LWS-0306ZC	23 - 108
1105 0511	Harness Clamp - LWS-0306ZC	25 - 105
1105 0511	Harness Clamp - LWS-0306ZC	37 - 102
1105 0511	Harness Clamp - LWS-0306ZC	39 - 110
1105 0511	Harness Clamp - LWS-0306ZC	53 - 113
1105 0516	Clamp	23 - 107
1105 0522	Edge Saddle - LES0510	55 - 111
1105 0534	Clamp	19 - 107
1105 0534	Clamp	27 - 107
1105 0534	Clamp	51 - 109
1105 0534	Clamp	31 - 111
1105 0534	Clamp	47 - 107
1105 0534	Clamp	53 - 110
1105 0534	Clamp	55 - 108
1105 0534	Clamp	57 - 102
1106 0851	Bush:NJ-16	31 - 109

Part No.	Description	Page and Index No.
1107 1295	Fuse:Glass Cartridge:FSL 250V 6.3A(EM)	49 - 104
1107 1296	Fuse:Glass Cartridge:FSL 250V 8A(EM)	49 - 105
1204 2497	Micro Switch	51 - 101
1407 7520	RAM:FM25V02-PG (REV.AA)	49 - 107
2803 0006	Cord Binder	9 - 14
5053 0447	Bushing - 6mm	53 - 10
5316 7421	O - Ring	39 - 30
5447 2681	Snap Ring	57 - 11
5501 8195	Steel Ball 3/16	21 - 20
5501 8195	Steel Ball 3/16	23 - 12
5506 6111	Stepped Screw - M4	33 - 22
5606 2066	Paper Feed Guide Disc	21 - 6
5606 2310	Roller	19 - 9
A250 1752	Exposure Glass	13 - 8
A659 1272	Door Catch	27 - 18
AA00 1564	Plate:Logotype:RIC	9 - 2
AA00 1565	Plate:Logotype:LAN	9 - 2
AA00 1566	Plate:Logotype:SVN	9 - 2
AA00 1567	Plate:Logotype:GES	9 - 2
AA00 1568	Plate:Logotype:NSA	9 - 2
AA00 1569	Plate:Logotype:REX	9 - 2
AA08 2144	Busing - 8X12X7	17 - 11
AA14 3802	Screw:6x1.7	53 - 13
AA14 3849	Screw:DIA4:M3	15 - 4
AC03 0169	Mirror:No.1	15 - 13
AC03 0210	Mirror:No.2:Concave	17 - 17
AG07 0514	Magnet Catch	9 - 3
AG07 0514	Magnet Catch	27 - 13
AW01 0109	Photo Reflection Sensor:PS117ED1	19 - 16
AW01 0109	Photo Reflection Sensor:PS117ED1	41 - 12
AW01 0155	Original:Sensor:3.3V	15 - 7
AW02 0141	Photointerruptor	23 - 3
AW02 0203	Photointerruptor	19 - 13
AW02 0203	Photointerruptor	55 - 25
AW02 0203	Photointerruptor	31 - 29

Part No.	Description	Page and Index No.
AW02 0203	Photointerruptor	33 - 9
AW02 0203	Photointerruptor	45 - 8
AW02 0203	Photointerruptor	47 - 12
AW02 0203	Photointerruptor	53 - 21
AW02 0203	Photointerruptor	57 - 5
AW02 0207	Photointerruptor:Flat:PICH2MM:M4	13 - 13
AW02 0214	Photointerruptor:LG248NL1A	13 - 6
AX31 0049	Total Counter:7Fig:24V	51 - 24
AX64 0188	Fan Motor DC24V 1.68W	49 - 11
AX65 5800	DC Fan Motor:Axial:MM119:24V	41 - 11
B129 1495	LCD	11 - 19
B238 1806	Idler Pulley	17 - 15
B238 1807	Pulley	17 - 18
C200 4748	Gear - 45T	39 - 25
C201 5051	Pinion - 24T	21 - 15
C203 5135	Bushing - 10x14x5.9	21 - 31
C207 4672	Gear - 36Z	39 - 5
C209 5220	Spacer - 4x20x6	21 - 19
C209 5220	Spacer - 4x20x6	23 - 8
C217 4581	Ink Roller Drive Gear	37 - 27
C217 5102	Spring Washer	29 - 27
C218 4592	Front Bank Plate	39 - 17
C218 4594	Rear Bank Plate	39 - 19
C225 6113	Upper Pressure Spring Pin	43 - 16
C229 2615	Slide Rail Roller	33 - 7
C229 2907	Registration Roller Pulley - 14Z	25 - 22
C231 2135	Platen Gear - 2	31 - 25
C231 2146	Platen Roller Gear	29 - 11
C231 2147	Idler Gear	29 - 10
C231 2148	Tension Roller Gear	29 - 9
C231 2234	Brake Pad	31 - 27
C231 2417	Master Exit Pawls	37 - 2
C231 2450	Ink Roller - B4	39 - 12
C231 2456	Ink Roller - A4/LG	39 - 12
C231 2565	Ink Cartridge Joint	37 - 28

Part No.	Description	Page and Index No.
C231 2766	Pressure Pin	25 - 8
C231 2922	Pressure Roller	21 - 23
C231 2922	Pressure Roller	23 - 28
C231 2965	Core	19 - 5
C231 2971	Lock Cam	19 - 41
C231 2976	Washer	19 - 38
C231 2985	Spring	19 - 30
C231 3489	Lower Roller Gear	47 - 22
C231 3494	Gear - Lower Roller	47 - 20
C231 4413	Delivery Table Spring	43 - 15
C231 4414	Lower Side Fence Pin	43 - 18
C231 4415	Upper Side Fence Pin	43 - 19
C231 4419	End Plate Pin	43 - 17
C231 4420	Slider Spring Plate	43 - 11
C231 4425	End Plate Sheet	43 - 22
C237 2460	Ink Drive Gear	39 - 29
C237 3505	Pin 3x16	47 - 19
C238 1057	Rubber Foot	57 - 18
C238 1339	Key Counter Plate Nut	57 - 19
C238 1962	Front Spring	29 - 24
C238 2037	Lever Knob	29 - 14
C238 2106	Ball Bearing - 6x13x5mm	29 - 12
C238 2243	Master Flange - MH	9 - 20
C238 2243	Master Flange - MH	29 - 25
C238 2244	Flange:Master:50.8/20	9 - 20
C238 2244	Flange:Master:50.8/20	29 - 25
C238 2368	Drum Drive Gear	37 - 11
C238 2410	Clamper Rear Spring	37 - 6
C238 2412	Clamper Cam	37 - 30
C238 2413	Sheet:Sensor:Trailing Edge:Screen	37 - 21
C238 2469	Doctor Roller Drive Gear	39 - 6
C238 2488	Rubber Bushing	39 - 33
C238 2489	Rubber Bushing Plate	35 - 20
C238 2489	Rubber Bushing Plate	39 - 32
C238 2572	Stopper Spring	37 - 22

Part No.	Description	Page and Index No.
C238 2573	Stepped Screw	35 - 23
C238 2585	Screw MM6x1.7	35 - 26
C238 2585	Screw MM6x1.7	37 - 26
C238 2770	Paper Side Pad	9 - 19
C238 2770	Paper Side Pad	19 - 19
C238 2785	Tray Motor Bracket	51 - 20
C238 2800	Tray Lift Bracket	19 - 3
C238 2805	Tray Lift Slider	19 - 4
C238 2806	Tray Position Feeler	19 - 12
C238 2825	Sensor Bracket	19 - 14
C238 2853	Sensor Cleaning Spring (CHN)	25 - 15
C238 2856	Sensor Cleaning Brush (CHN)	25 - 16
C238 2894	Upper Registration Roller	25 - 3
C238 2921	Registration Sensor Bracket	25 - 11
C238 2929	Spring Plate	21 - 21
C238 2929	Spring Plate	23 - 13
C238 2936	Arm Bracket	23 - 15
C238 2939	Spring	23 - 9
C238 2981	Rear Side Fence Rack	19 - 27
C238 2986	Sensor Bracket - Paper Feed Tray	19 - 15
C238 2987	Side Fence Gear	19 - 29
C238 3126	Pressure Spring Screw	33 - 13
C238 3127	Pressure Spring Nut	33 - 1
C238 3877	Driven Shaft	41 - 9
C238 3890	Drive Roller - Drum Side	41 - 8
C238 4070	Eject Clamp Pusher	55 - 21
C238 4450	Hinge Screw	57 - 12
C238 4493	Exit Pawl Drive Arm 2	33 - 5
C238 5651	Total Counter Bracket	51 - 16
C244 1098	Pan Head Screw:Lock:M4x4	19 - 37
C244 2633	Stepped Screw	51 - 30
C244 4426	Shoulder Screw	43 - 20
C244 4426	Shoulder Screw	53 - 14
C244 4426	Shoulder Screw	55 - 18
C247 2461	Adjusting Plate - Doctor Roller	39 - 26

Part No.	Description	Page and Index No.
C249 2230	Brake Shoe	31 - 30
C249 2790	Spring Plate:Spacer:Paper Feed Tray	19 - 22
C249 2840	Paper Feed Tray Pad	19 - 20
C249 2944	Table Sheet	19 - 42
C252 1080	Bushing	21 - 8
C252 1080	Bushing	25 - 21
C252 1080	Bushing	33 - 18
C252 1152	Timing Pulley:Drive:Main	55 - 6
C252 1154	Roller:Belt Tensioner:Ass'y	55 - 13
C252 1179	Pulley:Drive:Paper Feed	53 - 5
C252 1195	Hexagonal Set Screw:M5x8	55 - 7
C252 1950	Positioning Pin:Coupling:Plotter:Ass'y	29 - 21
C252 1971	Decal:Open And Close:Plotter:Left	29 - 2
C252 1972	Decal:Open And Close:Plotter:Left	29 - 3
C252 2082	Guide Plate:Brake:Lower:Plotter:Sub-Ass'y	31 - 2
C252 2085	Guide Plate:Brake:Upper:Plotter	31 - 1
C252 2092	Guide Plate:Thermal Head:Ass'y	31 - 19
C252 2157	Spring:Thermal Head:Both Ends	31 - 13
C252 2281	Discharge Brush:Cutter	29 - 1
C252 2281	Discharge Brush:Cutter	31 - 3
C252 2340	Screen:B4:Ass'y	35 - 39
C252 2341	Screen:LG:Ass'y	35 - 39
C252 2370	Spacer:Drum Shaft:Right	37 - 9
C252 2395	Plate:Thrust:Drum	37 - 13
C252 2396	Wedge:Plate:Thrust	37 - 12
C252 2397	Collar:Drum Shaft:Left	39 - 23
C252 2398	Spacer:Drum Shaft:Left (A4/LG)	39 - 22
C252 2410	Torsion Spring:Pawl:Master Ejection:Master	37 - 25
C252 2412	Friction Pad:Screen:Large (B4)	35 - 37
C252 2413	Friction Pad:Screen:Small	35 - 38
C252 2414	Friction Pad:Screen:LG/A4	35 - 37
C252 2458	Oil Supply Roller:B4	39 - 13
C252 2459	Oil Supply Roller:LG/A4	39 - 13
C252 2470	Stay:Ink Sensor	39 - 10
C252 2475	Side Plate:Roller:Ink:Left	39 - 20

Part No.	Description	Page and Index No.
C252 2476	Side Plate:Roller:Ink:Right:Ass'y	39 - 2
C252 2485	Joint:Drum Shaft	39 - 31
C252 2492	Tension Spring:Ring:Roller:Drum	39 - 16
C252 2495	Plate:Side Plate:Roller:Ink	39 - 21
C252 2526	Grip:Drum:Upper	35 - 32
C252 2534	Grip:Drum:Lower	35 - 16
C252 2559	Spring:Pressure:Ink Cartridge	35 - 6
C252 2590	Metal Screen - B4	37 - 20
C252 2593	Dram Metal Screen:Drum:LG:Ass'y	37 - 20
C252 2810	Grip Rings:Mm8	21 - 7
C252 2878	Spring:Pressure:Feed Roller	25 - 4
C252 2888	Pulley:Stepper Motor:Feed:23Z	53 - 17
C252 3140	Spring:Pressure:B4	33 - 14
C252 3486	Bushing:Pressure:MM6	47 - 16
C252 3487	Spring:Pressure:Roller:Master Ejection	47 - 15
C252 3492	Gear:Roller:50/84	47 - 21
C252 3525	Gear:Pressure:15/124	47 - 17
C252 3556	Spring:Pressure:Master Ejection:13.98N	47 - 6
C252 3684	Gear:Pressure Plate:Master Ejection	47 - 14
C252 4052	Rack:Drive:Clamp	55 - 22
C252 4062	Guide:Positioning:Drum	55 - 20
C252 4063	Guide:Clamp:Master Feed	55 - 15
C252 4068	Gear:Drive:Rack	53 - 22
C252 4069	Gear:Slow Down	53 - 23
C252 4365	Pickoff Pawl:Exit	33 - 3
C257 2869	Feeler Roller	21 - 2
C257 5807	Photo Reflection Sensor:GP2A25	25 - 13
C257 5817	Stepper Motor MM56x64	53 - 20
C257 5856	Push Switch	51 - 23
C259 5821	Stepper Motor:DIA42:Plotter:Ass'y	47 - 11
C259 5821	Stepper Motor:DIA42:Plotter:Ass'y	53 - 11
C261 1056	Shaft:Stay:Machine Or Copier	25 - 12
C261 1171	Bearing Case	53 - 9
C261 1955	Stay:Coupling:Plotter	29 - 20
C261 1961	Spring:Open And Close:Rear:Plotter	29 - 26

Part No.	Description	Page and Index No.
C261 2026	Base:Thermal Head	31 - 15
C261 2030	Rear Plate:Open And Close	29 - 8
C261 2036	Lever:Open And Close:Plotter	29 - 15
C261 2039	Spring:Lever:Lock:Plotter	29 - 13
C261 2040	Side Plate:Open And Close:Front:Plotter:Ass'y	29 - 16
C261 2045	Cover:Open And Close:Plotter	29 - 4
C261 2046	Guide Plate	29 - 5
C261 2052	Positioning Plate:Master	31 - 8
C261 2054	Spring:Positioning Plate:Master	31 - 10
C261 2077	Roller:Brake:Plotter	31 - 4
C261 2108	Cover:Open And Close:Lower	29 - 17
C261 2114	Roller:Tension:B4 (EU, AA, CHN)	29 - 6
C261 2115	Roller:Tension:LG (NA)	29 - 6
C261 2151	Thermal Head:B4	31 - 11
C261 2156	Spring:Thermal Head:Middle	31 - 14
C261 2271	Cutter Unit:B4:Ass'y	29 - 18
C261 2273	Bracket:On Off Detector:Plotter	31 - 28
C261 2279	Bracket:Sensor:Master	31 - 18
C261 2368	Shielding Plate:Drum	37 - 15
C261 2388	Stay:Screen:Front:B4	37 - 17
C261 2389	Stay:Screen:Rear:B4	37 - 18
C261 2390	Stay:Screen:Front:A4/LG	37 - 17
C261 2391	Stay:Screen:Rear:A4/LG	37 - 18
C261 2401	Clamp:Ass'y	37 - 1
C261 2402	Base:Clamp:Drum:Ass'y	37 - 3
C261 2405	Plate:Clamp	37 - 7
C261 2406	Shaft:Clamp:Drum	37 - 5
C261 2463	Stay:Main:Drum:B4	39 - 11
C261 2464	Stay:Main:Drum:A4/LG	39 - 11
C261 2465	Stay:Sub:Drum:B4	39 - 14
C261 2466	Stay:Sub:Drum:A4/LG	39 - 14
C261 2471	Ink Sensor:Ass'y	39 - 9
C261 2520	Side Plate:Drum:Left	37 - 4
C261 2521	Side Plate:Drum:Right	37 - 14
C261 2530	Arm:Grip:Left	35 - 14

Part No.	Description	Page and Index No.
C261 2531	Arm:Grip:Right	35 - 10
C261 2533	Screw:Arm:Drum	35 - 19
C261 2535	Shaft:Contact Point:Arm:Drum	35 - 13
C261 2538	Bracket:Housing:Drum	35 - 21
C261 2543	Cover:Harness:Drum	35 - 18
C261 2552	Screw:Slider	35 - 1
C261 2552	Screw:Slider	51 - 3
C261 2553	Rail:Holder:Left	35 - 7
C261 2554	Rail:Holder:Right	35 - 8
C261 2555	Guide:Slider:Right	35 - 5
C261 2556	Lever:Release:Holder:Ass'y	35 - 11
C261 2558	Base:Lever:Release	37 - 29
C261 2560	Spring:Lever:Release	35 - 12
C261 2567	Stay:Coupling:Grip	35 - 27
C261 2601	Stay:Drum:Machine Or Copier:Ass'y	33 - 8
C261 2605	Positioning Pin:Drum:Ass'y	33 - 23
C261 2611	Bracket:Receptacle	51 - 15
C261 2817	Bracket:Drive:Paper Feed Roller	53 - 2
C261 2831	Holder:Spring:Separation	21 - 25
C261 2832	Compression Spring:Separation Pad	21 - 26
C261 2835	Adjusting Pin	21 - 24
C261 2844	Screw:Separation Unit	21 - 30
C261 2844	Screw:Separation Unit (CHN)	25 - 14
C261 2872	Shaft:Swivel:Feed Roller:Upper	25 - 9
C261 2875	Arm:Pressure:Feed Roller:Ass'y	25 - 5
C261 2881	Feed Roller:Lower	25 - 2
C261 2887	Bracket:Stepper Motor:Feed	53 - 19
C261 3100	Side Plate:Pressure:Left:Ass'y	33 - 24
C261 3103	Side Plate:Pressure:Right:Ass'y	33 - 15
C261 3110	Arm:Pressure Roller:Left:Ass'y	33 - 21
C261 3113	Arm:Pressure Roller:Right:Ass'y	33 - 17
C261 3116	Bracket:Stopper:Pressure Roller	33 - 20
C261 3117	Stopper:Pressure Roller	33 - 19
C261 3120	Anchor:Spring:Pressure:Left:Ass'y	33 - 27
C261 3123	Anchor:Spring:Pressure:Right:Ass'y	33 - 11

Part No.	Description	Page and Index No.
C261 3131	Bracket:Pressure Release:Left	33 - 34
C261 3135	Bracket:Pressure Release:Right	33 - 31
C261 3137	Spring:Pressure Release	33 - 26
C261 3141	Spring:Pressure:A4/LG	33 - 14
C261 3160	Arm:Pressure Release:Left:Ass'y	33 - 32
C261 3165	Arm:Pressure Release:Right:Ass'y	33 - 29
C261 3466	Base:Master Ejection	47 - 10
C261 3467	Bracket:Sensor:Master Ejection Unit	45 - 11
C261 3469	Duct:Air Knife	45 - 15
C261 3470	Base:Air Knife	45 - 17
C261 3472	Cover:Sensor:Master Ejection Unit	45 - 12
C261 3484	Roller:Lower:Master Ejection Unit:Ass'y	47 - 9
C261 3553	Arm:Pressure:Master Ejection	47 - 5
C261 3554	Shaft:Pressure:Master Ejection Unit	47 - 4
C261 3567	Guide Plate	47 - 2
C261 3577	Plate:Master	45 - 4
C261 3656	Pressure Plate:Master Ejection	47 - 7
C261 3855	Bracket:Fan:Hale Unit:Ass'y	41 - 10
C261 3861	Duct:Hale Unit	41 - 7
C261 3879	Transport Belt:Hale Unit:17	41 - 1
C261 3885	Discharge Brush:Long:Paper Exit	57 - 20
C261 3886	Discharge Brush:Short:Paper Exit	57 - 21
C261 3890	Guide:Hale Unit	41 - 2
C261 4001	Base:Clamp:Open And Close:Ass'y	55 - 17
C261 4055	Lever:Drive:Master Feed:Peen	55 - 16
C261 4059	Lever:Drive:Master Ejection:Peen	55 - 19
C261 4064	Side Plate:Drive Sub-unit:Clamp	53 - 24
C261 4401	Stay:Front:Paper Exit Sub-unit	43 - 13
C261 4402	Stay:Rear:Paper Exit Sub-unit	43 - 9
C261 4409	Supporting Plate:Paper Exit	43 - 14
C261 4481	Arm:Drive:Pickoff Pawl	33 - 2
C261 4485	Bracket:Roller:Pressure Release	33 - 6
C261 5050	Photointerrupt:Master Ejection	45 - 10
C261 5150	PCB:Optics Sensor	45 - 13
C261 5253	Harness:Ink Sensor:Ass'y	39 - 24

Part No.	Description	Page and Index No.
C261 5610	Bracket:Home Position Sensor	55 - 12
C261 5611	Bracket:Sensor:Paper Feed Control	33 - 10
C261 5686	Screw:Round Point:Safety Switch	51 - 27
C261 5821	Power Supply Cord	9 - 22
C261 5822	Power Supply Cord	9 - 22
C261 5825	Fan:Sirocco:DC24V:B054	45 - 16
C261 5879	Magnetic Clutch:Paper Feed Roller	53 - 4
C264 2898	Shaft:Arm:Feed Roller:Upper	25 - 7
C267 1056	Shaft:Stay:Machine Or Copier:DIA12	25 - 1
C267 1060	Cover:Side Plate:Machine Or Copier:Front	51 - 4
C267 1070	Guard:Rack:Paper Feed Tray	57 - 17
C267 1074	Bracket:On Off Detector:Machine Or Copier:Plotter	51 - 18
C267 1075	Cover:Harness:Operation Panel:Upper Left	57 - 1
C267 1076	Bracket:Link:Lower	57 - 10
C267 1077	Link:Machine Or Copier:Plotter:Front:Peen	57 - 7
C267 1079	Screw:DIA4	57 - 6
C267 1081	Cover:Harness:Operation Panel:2	57 - 12
C267 1082	Slider:Harness:Machine Or Copier:Plotter	57 - 8
C267 1085	Cover:On Off Detector:Machine Or Copier:Upper	51 - 17
C267 1087	Link:Machine Or Copier:Plotter:Inner Back:Peen	57 - 9
C267 1185	Base:Brushless Motor:Main	55 - 8
C267 1311	Hinge:Door:Upper:Ass'y	9 - 6
C267 1312	Hinge:Door:Lower:Ass'y	9 - 7
C267 1321	Bracket:Plate:Cover:Front	51 - 22
C267 1495	Lens:LED:Operation Sub-unit	11 - 5
C267 1497	Bracket:Operation Sub-unit:Right	11 - 17
C267 1994	Stopper:Rail:Plotter:Middle	27 - 9
C267 2010	Side Plate:Fix:Rear:Plotter:Ass'y	31 - 24
C267 2020	Side Plate:Fix:Front:Plotter:Ass'y	31 - 16
C267 2064	Lever:Roller:Brake	31 - 5
C267 2066	Spring:Roller:Brake:Plotter	31 - 9
C267 2078	Bracket Shoe:Roller:Brake:Plotter	31 - 6
C267 2095	Guide Plate:Master	31 - 20
C267 2133	Gear:Idler:1:Platen	31 - 26
C267 2160	Bracket:Slide Rail:Plotter:Rear	27 - 11

Part No.	Description	Page and Index No.
C267 2161	Bracket:Harness:Rear:Plotter	27 - 7
C267 2164	Cover:Harness:Exit:Upper:Plotter	27 - 2
C267 2165	Cover:Harness:Exit:Lower:Plotter	27 - 6
C267 2166	Bracket:On Off Detector Board:Upper:Plotter	27 - 17
C267 2167	Cover:Harness:Left	27 - 1
C267 2170	Bracket:Slide Rail:Plotter:Front	27 - 15
C267 2172	Lever:Safety Switch	51 - 12
C267 2173	Cover:Upper:Plotter:2	27 - 5
C267 2174	Bracket:Connector:Plotter	27 - 3
C267 2176	Spring Plate:Safety Switch	51 - 25
C267 2177	Cover:Rear:Plotter	27 - 8
C267 2178	Cover:Front:Plotter	27 - 16
C267 2182	Bracket:Harness:Left Inner Rear:Plotter	27 - 4
C267 2186	Slide Rail:Plotter:Inner	27 - 10
C267 2210	Holder:Master:Rear	29 - 22
C267 2220	Holder:Master:Front	29 - 19
C267 2267	Bearing Case:Transmission	25 - 20
C267 2275	Rail:Plotter:Outer	57 - 15
C267 2288	Bracket:On Off Detector:Lower:Plotter:2	27 - 14
C267 2290	Base:Fix:Plotter:2:Peen	31 - 21
C267 2311	Roller:Ink:A4/LG:Ass'y	39 - *
C267 2312	Roller:Ink:B4:Ass'y	39 - *
C267 2322	Holder:Ink Cartridge:WLD:Ass'y (21, 29, 61, 67, 27)	35 - 35
C267 2323	Holder:Ink Cartridge:NA:STD:Ass'y (11)	35 - 35
C267 2342	Screen:A4:Ass'y	35 - 39
C267 2360	Flange:Drum:B4/LG:Left:Ass'y	37 - 8
C267 2362	Flange:Drum:B4/LG:Right:Ass'y	37 - 10
C267 2364	Flange:Drum:A4:Left:Ass'y	37 - 8
C267 2366	Flange:Drum:A4:Right:Ass'y	37 - 10
C267 2390	Sheet:Sensor:Drum	35 - 36
C267 2394	Spring Plate:Grip:Drum	35 - 33
C267 2395	Bracket:Stopper:Drum	35 - 28
C267 2396	Spring Plate:Stopper	35 - 25
C267 2416	Friction Pad:Small:Magnetic	37 - 19
C267 2424	Filter:Pump:Ink	37 - 16

Part No.	Description	Page and Index No.
C267 2427	DC Mtor:Pump Unit	39 - 34
C267 2428	Pump Unit:Ink:B4:Ass'y	39 - 1
C267 2429	Pump Unit:Ink:A4:Ass'y	39 - 1
C267 2458	Ring:Front:Roller:Drum	39 - 15
C267 2459	Ring:Rear:Roller:Drum	39 - 18
C267 2468	Ground Plate:Oil Supply Roller:Ink	39 - 7
C267 2481	Drum Shaft:B4:Ass'y	39 - 8
C267 2487	Drum Shaft:A4/LG:Ass'y	39 - 8
C267 2524	Stay:Grip:Drum:Left	35 - 31
C267 2525	Stay:Grip:Drum:Right	35 - 30
C267 2570	Bracket:Stopper:Turn	37 - 24
C267 2571	Shield:Holder:Ink Cartridge	35 - 9
C267 2572	Stopper:Turn	37 - 23
C267 2574	Slider:Housing	35 - 17
C267 2586	Dram Metal Screen:Drum:A4:Ass'y	37 - 20
C267 2598	Blade:Front:Drum	39 - 27
C267 2599	Blade:Rear:Drum	39 - 28
C267 2640	Holder:Ink Cartridge (21, 29, 61, 67, 27)	35 - 15
C267 2641	Slider:Holder:Ink Cartridge:WLD	35 - 4
C267 2642	Guide:Slider:Left:WLD:Ass'y	35 - 3
C267 2675	Holder:Ink Cartridge:NA:STD:Ass'y (11)	35 - 15
C267 2753	Stay:Paper Feed Tray:Front	19 - 33
C267 2754	Stay:Paper Feed Tray:Rear	19 - 24
C267 2756	Base:Paper Feed Tray	19 - 34
C267 2758	Plate:Magnet Catch:Paper Feed Tray	19 - 23
C267 2760	Arm:Front:Paper Feed Tray	19 - 36
C267 2761	Arm:Rear:Paper Feed Tray:Peen	19 - 35
C267 2770	Shaft:Lock:Side Fence	19 - 32
C267 2779	Spring:Auxiliary:Rise:Paper Feed Tray	19 - 2
C267 2781	Shaft:Rise:Paper Feed Tray	21 - 16
C267 2782	DC Motor:Paper Feed Tray	51 - 21
C267 2790	Rack:Rise:Paper Feed Tray:Front:Ass'y	19 - 6
C267 2793	Stay:Harness:Sensor:Paper	19 - 8
C267 2796	Rack:Rise:Paper Feed Tray:Rear:Ass'y	19 - 11
C267 2802	Roller:Paper Feed:Ass'y	21 - 4

Part No.	Description	Page and Index No.
C267 2806	Arm:Paper Feed	21 - 9
C267 2811	Pulley:Drive:Roller:Paper Feed	21 - 14
C267 2812	Pulley:Pickup:Paper Feed	21 - 13
C267 2813	Timing Belt:B82MXL6.4	21 - 12
C267 2816	Stopper:Arm	23 - 24
C267 2819	Separation Pad:Ass'y (EU, AA, NA)	21 - 27
C267 2820	Separation Pad:CHN:Ass'y (CHN)	21 - 27
C267 2824	Drum Stay:Paper Feed:Ass'y	21 - 28
C267 2827	Adjusting Pin:Separation Sub-unit	21 - 17
C267 2844	Bracket:Separation Change	21 - 22
C267 2845	Lever:Separation Change	21 - 18
C267 2885	Tension Spring:Bracket:Stepper Motor	53 - 18
C267 2896	Guide Plate:Feed Roller:Ass'y	25 - 18
C267 2897	Sheet:Guide Plate:Feed Roller:Upper	25 - 24
C267 2916	Stay:Paper Feed	21 - 32
C267 2916	Stay:Paper Feed	23 - 23
C267 2917	Retainer:Arm:Paper Feed	21 - 5
C267 2918	Bracket:Stay:Paper Feed	23 - 16
C267 2924	Lever:Pressure:Paper Feed Roller	23 - 10
C267 2931	Arm:Pressure:Paper Feed:Peen	23 - 14
C267 2941	Actuator:Surface Of Paper Sensor:Peen	21 - 3
C267 2944	Screw:Actuator:Surface Of Paper Sensor	21 - 1
C267 2946	Bracket:Surface Of Paper Sensor	23 - 4
C267 2947	Holder:Surface Of Paper Sensor	23 - 5
C267 2951	Bracket:Arm:Surface Of Paper Sensor	23 - 17
C267 2952	Holder:Surface Of Paper Sensor	23 - 18
C267 2953	Cover:Inner Back:Stay:Paper Feed	23 - 6
C267 2954	Cover:Harness:Stay:Paper Feed	23 - 26
C267 2956	Cover:Auxiliary:Harness:Stay:Paper Feed	23 - 25
C267 2958	Ground Plate:Cover:Stay:Paper Feed	23 - 27
C267 2958	Ground Plate:Cover:Stay:Paper Feed	57 - 4
C267 2983	Spacer:Side Fence	19 - 28
C267 2992	Cover:On Off Detector:Plotter:Lower Middle	23 - 19
C267 2993	Bracket:On Off Detector:Right Lower:Machine Or Copier:2	23 - 20

Part No.	Description	Page and Index No.
C267 2994	Holder:Lock:Plotter	23 - 21
C267 2996	Decal:Paper Feed Pressure:CHN	23 - 22
C267 3050	Pressure Roller:B4:Ass'y	33 - 16
C267 3052	Pressure Roller:A4/LG:Ass'y	33 - 16
C267 3130	DC Solenoid:Pressure Release:Left:Ass'y	33 - 25
C267 3134	DC Solenoid:Pressure Release:Right:Ass'y	33 - 12
C267 3452	Roller:Rail:Drum	35 - 24
C267 3452	Roller:Rail:Drum	47 - 24
C267 3473	Guide:Master Ejection	47 - 23
C267 3477	Bracket:Contact Point:Turn	45 - 7
C267 3485	Roller:Upper:Master Ejection Unit:Ass'y	47 - 8
C267 3501	Side Plate:Front:Master Ejection:Ass'y	47 - 3
C267 3521	Side Plate:Rear:Master Ejection:Ass'y	47 - 13
C267 3526	Bracket:Harness:Master Ejection Unit	45 - 9
C267 3530	Shaft:Lock:Master Ejection Unit:Ass'y	45 - 6
C267 3574	Stay:Master Ejection Unit	47 - 1
C267 3679	Bracket:Auxiliary:Master Ejection	45 - 3
C267 3680	Spring Plate:Guide:Master Ejection	45 - 5
C267 3682	Sheet:Case:Master Ejection	45 - 19
C267 3704	Bracket:Contact Point:Fix:Master Ejection Unit	57 - 2
C267 3706	Bracket:On Off Detector:Master Ejection Unit	
	Master Ejection Unit	51 - 14
C267 3713	Shaft:Contact Point:Master Ejection:Upper	57 - 3
C267 3714	Bracket:Contact Point:Fix:Master Ejection Unit:Middle	57 - 1
C267 3716	Inner Cover:Open And Close	55 - 24
C267 3717	Supporter:Master Ejection Unit	57 - 13
C267 3730	Lever:Middle	51 - 8
C267 3731	Lever:Lower	51 - 7
C267 3732	Lever:Open And Close:Master Ejection Unit	51 - 2
C267 3737	Spring:Lever:Middle	51 - 26
C267 3738	Spring:Lever:Lower	51 - 6
C267 3881	Bracket:Drum Stay:Paper Exit Sub-unit:Front	57 - 14
C267 3882	Bracket:Drum Stay:Paper Exit Sub-unit:Rear	57 - 8
C267 3883	Bracket:Drum Stay:Exit:Lower Front	57 - 15

Part No.	Description	Page and Index No.
C267 3884	Bracket:Drum Stay:Exit:Lower Rear	57 - 9
C267 3888	Discharge Brush:Drum Stay:Exit:Lower	57 - 17
C267 4349	Spring:Arm:Pickoff Pawl	33 - 28
C267 4410	Bracket:End Plate:Ass'y	43 - 4
C267 4417	Cushion:End Fence	43 - 23
C267 4431	Remover/Install Sub-unit:Exit:Front:Peen	57 - 11
C267 4441	Remover/Install Sub-unit:Exit:Rear:Peen	57 - 10
C267 4479	Bushing	33 - 30
C267 4480	Shaft:Pickoff Pawl:Ass'y	33 - 4
C267 4665	Bearing Case:Roller:Ink	39 - 4
C267 5251	Harness:Connecting:Pump:B4:Ass'y	39 - 3
C267 5252	Harness:Connecting:Drum:Ass'y	51 - 29
C267 5254	Harness:Connecting:Pump:A4/LG:Ass'y	39 - 3
C267 5276	Harness:Paper Feed Tray:Sensor:Ass'y	49 - 2
C267 5612	Bracket:Sensor:Misfeed Removal	57 - 4
C267 5616	Bracket:Fix:Power Supply Unit	55 - 4
C267 5617	Bracket:Fix:Power Supply Uni:Upper	55 - 5
C267 5622	Bracket:Base:Fix	53 - 1
C267 5623	Bracket:Base:Guard	55 - 1
C267 5627	Bracket:Power Supply Unit	49 - 7
C267 5635	Spring Plate:Safety Switch	51 - 13
C267 5650	Bracket:Main Switch	51 - 10
C267 5652	Bracket:Key Counter	57 - 18
C267 5844	Stepper Motor:DIA42:Plotter:Ass'y	31 - 23
C267 5890	Brushless Motor:Main:DC24V	55 - 9
C267 6168	Washer:Slide:End Fence	19 - 31
C271 2808	Shaft:Paper Feed Roller	21 - 10
C271 2809	Shaft:Pickup	21 - 11
C271 5162	PCB:OPE	11 - 18
C272 2855	Lever:Cleaner:Registration Sensor (CHN)	25 - 10
C272 5887	Spacer:DC Fan Motor:Axial:MM119:24V	41 - 5
C274 2057	Display Sub-unit:Leading Edge:Master:Printing	31 - 7
C274 2948	Timing Belt:Paper Feed:140-XL-050	53 - 12
C274 5820	Power Supply Cord	9 - 22
C275 1156	Shaft:Belt Tensioner:Ass'y	55 - 14

Part No.	Description	Page and Index No.
C275 1160	Gear:Drive:Drum:Ass'y	53 - 6
C275 1172	Side Plate:Drum Drive Sub-unit	53 - 8
C275 1173	Stopper:Gear:Remover/Install	53 - 15
C275 1174	Tension Spring:Lock:Gear:Remover/Install	53 - 25
C275 1177	Spacer:Power Supply Unit	53 - 16
C275 1180	Timing Belt:Drive:Main	53 - 7
C275 2869	Bracket:Guide Plate:Front	25 - 19
C275 2870	Bracket:Guide Plate:Rear	25 - 17
C275 2871	Feed Roller:Upper:Ass'y	25 - 23
C275 2895	Arm:Feed Roller:Upper	25 - 6
C275 2898	Screw:M4x6	25 - 25
C275 3450	Frame:Master Ejection Unit:Ass'y	45 - *
C275 3801	Drum Stay:Paper Exit Sub-unit:Ass'y	57 - 16
C275 3875	Pulley:Drive:Hale Unit	41 - 6
C275 3877	Shaft:Drive:Hale Unit:Sub-Ass'y	41 - 16
C275 3879	Timing Belt:Drive:Hale Unit	41 - 3
C275 5206	Harness:Ink:Ass'y	49 - 1
C275 5330	DC Power Supply:Main:NA:Ass'y	49 - 10
C275 5340	DC Power Supply:Main:200V:Ass'y	49 - 10
C275 5616	Bracket:UC2:Rear	55 - 3
C275 5619	Bracket:Fix:Power Supply Unit:Upper	55 - 27
C275 5675	Bracket:Control Unit:Fix	49 - 6
C275 5685	Bracket:On Off Detector:Door	51 - 11
C275 5811	DC Motor:2.5W:DIA34:Z15	41 - 4
C279 1086	Cover:Safety:Base:Upper	57 - 22
C279 1330	Decal:Paper Feed Tray	9 - 9
C279 1341	Decal:Warning:Paper Feed:EXP	9 - 13
C279 1351	Decal:Counter	9 - 17
C279 2932	Knob:Lever	21 - 29
C279 2932	Knob:Lever	23 - 11
C279 2964	Adjusting Pin:Front Rear:Paper Feed Tray	19 - 25
C279 2973	Knob:Lock:Side Fence	19 - 26
C279 2996	Dacal:Paper Set Direction	19 - 10
C279 3489	Lever:Master Ejection	45 - 2
C279 4406	Knob:End Plate:Exit	43 - 3

Part No.	Description	Page and Index No.
C279 4421	Cover:Slide:Paper Exit Sub-Unit	43 - 24
C279 4456	Cover:Slide:Paper Exit Sub-Unit	43 - 12
C279 5630	Bracket:Connector:Tape Mark (AA, NA, CHN)	55 - 23
C279 5631	Cover:Guard:Tape Mark (AA, NA, CHN)	55 - 10
C280 5854	Optics Sensor:Master:Duct	31 - 17
C282 1053	Stay:Main:Scanner:Right:Ass'y	57 - 5
C282 1058	Stay:Machine Or Copier:Scanner Unit:Left	57 - 3
C282 1060	Cover:Spacer:Main	9 - 23
C282 1062	Adjusting Pin:Scanner Unit:Upper Lower	57 - 2
C282 1066	Bracket:Fix:Scanner Unit:Left	13 - 10
C282 1067	Spacer:Main	9 - 24
C282 1069	Sheet:Spacer:Main:MX-48HF	9 - 25
C282 1301	Cover:Door	9 - 1
C282 1302	Cover:Front	9 - 8
C282 1303	Cover:Rear	9 - 12
C282 1304	Cover:Plotter	27 - 12
C282 1305	Cover:Left	9 - 10
C282 1306	Cover:Right	9 - 15
C282 1307	Cover:Rear Upper	9 - 11
C282 1308	Cap:FVLT	9 - 18
C282 1331	Decal:Master Set Instructions:Stopper Guide	27 - 19
C282 1382	Decal:Name Plate:STD (NA)	11 - 20
C282 1383	Decal:Name Plate:DD3334 (NA)	11 - 20
C282 1384	Decal:Name Plate:DD3344 (EU,AA)	11 - 20
C282 1385	Decal:Name Plate:DD3324 (EU)	11 - 20
C282 1386	Decal:Name Plate:CP6303C (CHN)	11 - 20
C282 1387	Decal:Name Plate:DD3344C (CHN)	11 - 20
C282 1391	Decal:Master Set Instructions:ABS	9 - 16
C282 1392	Decal:Warning:Paper Feed:EXP:PS	9 - 5
C282 1396	Decal:Main Switch:CHN:PS	9 - 4
C282 1451	Operation Panel:EXP:Ass'y	11 - *
C282 1460	Case:Operation Sub-Unit	11 - 3
C282 1471	Keytop:Start	11 - 15
C282 1472	Keytop:ClearStop	11 - 14
C282 1473	Keytop:Numeric	11 - 13

Part No.	Description	Page and Index No.
C282 1474	Keytop:Try Print	11 - 12
C282 1475	Keytop:Conttinuance	11 - 16
C282 1476	Keytop:Reset	11 - 11
C282 1478	Keytop:Program	11 - 10
C282 1479	KEYTOP:Return	11 - 9
C282 1480	Keytop:Magnification	11 - 8
C282 1481	Keytop:Usertool	11 - 7
C282 1482	Keytop:Memory	11 - 6
C282 1486	Bracket:Operation Sub-Unit:Left	11 - 1
C282 1491	Sheet:Operation Sub-Unit:Right	11 - 4
C282 1492	Sheet:Operation Sub-Unit:Left:NA	11 - 2
C282 1493	Sheet:Operation Sub-Unit:Right	11 - 4
C282 1494	Sheet:Operation Sub-Unit:Left:EU	11 - 2
C282 1495	Sheet:Operation Sub-Unit:Right	11 - 4
C282 1496	Sheet:Operation Sub-Unit:Left:CHN	11 - 2
C282 1792	Scale:Left:EU:Ass'y	13 - 22
C282 1799	Scale:Rear:Printing	13 - 4
C282 1800	Cover:Sheet Through:Document Feeder	13 - 2
C282 1905	Plotter:Fix:B4:Ass'y	27 - *
C282 1911	Plotter:UNI:LG	27 - *
C282 2104	Platen:B4	29 - 23
C282 2105	Platen:A4/LG	29 - 23
C282 2276	Slide Rail:Plotter:Middle	57 - 16
C282 2504	Frame:Upper:Drum:Ass'y	35 - 29
C282 2524	Decal:Pull Out:Drum	35 - 34
C282 2710	Paper Feed Tray:Ass'y	19 - 21
C282 2752	Paper Feed Tray	19 - 43
C282 2967	Decal:Adjustment Scale:Move:Paper Feed	19 - 40
C282 2980	Side Fence:Paper Feed Tray	19 - 18
C282 2995	Decal:Paper Feed Pressure:English	23 - 22
C282 2998	Decal:Size Indication:Paper Feed	19 - 1
C282 3510	Case:Master Ejection Unit:Ass'y	45 - 1
C282 3678	Case:Master Ejection	45 - 20
C282 3733	Button:Master Ejection	51 - 1
C282 3804	Hale Unit:Ass'y	41 - *

Part No.	Description	Page and Index No.
C282 4201	Paper Exit Sub-Unit:Ass'y	43 - *
C282 4204	Paper Exit Sub-Unit:CHN:Ass'y	43 - *
C282 4390	Base:Paper Exit Sub-Unit:Printing	43 - 10
C282 4395	Guide:Lower Front:Paper ExitSub-Unit: Printing	43 - 21
C282 4396	Guide:Lower Rear:Paper Exit Sub-Unit:Printing	43 - 6
C282 4397	Guide:Lower Front:Paper Exit Sub-Unit: CHN:Printing	43 - 21
C282 4398	Guide:Lower Rear:Paper Exit Sub-Unit: CHN:Printing	43 - 6
C282 4407	Case:Side Fence:Paper Exit Sub-Unit	43 - 5
C282 4416	Case:End Plate:Exit	43 - 1
C282 4430	End Fence:Adhesion	43 - 26
C282 4432	End Plate:Exit	43 - 2
C282 4441	Decal:Caution:Exit	43 - 27
C282 4464	Side Fence:Rear:Paper Exit Sub-Unit	43 - 7
C282 4465	Side Fence:Front:Paper Exit Sub-Unit	43 - 8
C282 4493	Guide:Paper:Side Fence	9 - 21
C282 4493	Guide:Paper:Side Fence	43 - 25
C282 5101	PCB:MPU:Sub-Ass'y	49 - 5
C282 5101	Bracket:Spring:Master Ejection	51 - 5
C282 5123	Supporting Plate:Cable:Document Feeder	13 - 14
C282 5200	Harness:DC Drive:Ass'y	49 - 3
C282 5201	Harness:Motor:Ass'y	49 - 4
C282 5202	Harness:Main Switch:Ass'y	51 - 9
C282 5230	Harness:Master Ejection Unit:Ass'y	45 - 14
C282 5231	Harness:Master Ejecting:Sensor:Ass'y	57 - 7
C282 5240	Harness:Imaging Unit:Ass'y	31 - 12
C282 5241	Harness:Stepper Motor:Ass'y	31 - 22
C282 5242	Harness:Connecting:Plotter:1:Ass'y	57 - 14
C282 5242	Harness:Connecting:Plotter:Ass'y	27 - 20
C282 5244	Harness:Connecting:Plotter:2:Ass'y	27 - 21
C282 5244	Harness:Connecting:Plotter:2:Ass'y	57 - 19
C282 5245	Harness:Connecting:Cutter Unit:Ass'y	57 - 13
C282 5257	Harness:Drum:Connecting:B4:Ass'y	35 - 22
C282 5258	Harness:Drum:Connecting:A4:Ass'y	35 - 22

Part No.	Description	Page and Index No.
C282 5259	Harness:Drum:Connecting:Legal:Ass'y	35 - 22
C282 5260	Harness:Hale Unit:Ass'y	41 - 13
C282 5261	Harness:Connecting:Hale:Unit:Ass'y	41 - 14
C282 5262	Harness:Connecting:Hale:Fan:Ass'y	41 - 15
C282 5271	Harness:Paper Feed Tray:Ass'y	19 - 17
C282 5272	Harness:Stay Ass'y	23 - 2
C282 5273	Harness:Connecting:Stay:Plotter:Ass'y	23 - 1
C282 5333	Rocker Switch	51 - 28
C282 5614	Bracket:SD-Card:Front	55 - 2
C282 5617	Bracket:Fix:MPU:Upper	55 - 28
C282 5639	Cover:No.1	55 - 11
C282 5670	Bracket:Power Supply Cord	49 - 9
C282 5841	Inlet:Ass'y	49 - 8
C612 1800	Screw:Lens:Guide	19 - 39
C612 1801	Screw:M4x8	35 - 2
D029 1749	Pulley:Protction	17 - 8
D144 1085	Stepped Screw:M3	13 - 1
D147 1805	Exposure Glass:Document Feeder:Apply	13 - 3
D149 1693	Guide:FFC	15 - 6
D149 1694	Plate Seal:APS:Harness	15 - 8
D149 1698	Frame:Scanner:Front	13 - 9
D149 1699	Frame:Scanner:Rear	13 - 5
D149 1703	DC Stepper Motor	17 - 1
D149 1705	Bracket:DC Stepper Motor	17 - 2
D149 1706	Synchronous Belt:138ST1.5-4.0	17 - 5
D149 1709	Tension Spring:Tension:11.3N:30MM	17 - 3
D149 1710	Timing Pulley:62	17 - 6
D149 1711	Shaft:Scanner:Drive	17 - 10
D149 1714	Drive Were:DIA1	17 - 16
D149 1715	Pulley:Drive Were:Front	17 - 7
D149 1717	Pulley:Drive Were:Rear	17 - 9
D149 1718	Bracket:Tension:Rear	17 - 14
D149 1719	Bracket:Tension:Front	17 - 13
D149 1726	Clamp:Drive Were	15 - 2
D149 1728	Guide:Harness:LED-B	15 - 5

Part No.	Description	Page and Index No.
D149 1730	Carrige:No.1:Ass'y	15 - 1
D149 1731	Reflector:Scanner	15 - 14
D149 1742	Carrige:No.2:Sub-Ass'y	17 - 20
D149 1749	Mirror:No.3:CONVAX:C3	17 - 21
D149 1754	Guide:FFC:Carrige:No.2	15 - 9
D149 1755	Cover:FFC:Carrige:No.2	15 - 10
D149 1771	Lens:Holder:Ass'y	13 - 19
D149 1780	Inner Cover	13 - 18
D149 1782	Cover:Lens	13 - 20
D149 1801	Bracket:Scale:Left	13 - 7
D149 1816	Document Feeder:Cable:Bracket	13 - 12
D149 1817	Bracket:SIO	13 - 16
D149 5206	Harness:SIO:Scanner Unit	15 - 12
D149 5207	Harness:FFC:LED	15 - 11
D158 1721	Illumination Unit:LEDB:Ass'y	15 - 3
D158 1815	Bracket:Document Feeder:Right	13 - 15
D158 1816	Bracket:Document Feeder:Left	13 - 11
D159 1740	Carrige:No.2:Ass'y	17 - 12
D159 5138	PCB:SIO	13 - 17
D159 5301	Interface Cable:Scanner:LVDS:Ass'y	13 - 21
D159 5304	Harness:SIO:STM	17 - 4
G020 5626	Push Switch	23 - 29
G020 5626	Push Switch	51 - 19
G404 2810	Spring Plate - 2nd Mirror	17 - 19
G570 1225	Sensor Shielding Plate	13 - 23
G570 1225	Sensor Shielding Plate	33 - 33
G570 1225	Sensor Shielding Plate	45 - 18
G570 1225	Sensor Shielding Plate	53 - 3
G570 1225	Sensor Shielding Plate	19 - 7
G570 1225	Sensor Shielding Plate	23 - 7
G570 1225	Sensor Shielding Plate	31 - 31
G570 1225	Sensor Shielding Plate	47 - 18
G570 1225	Sensor Shielding Plate	55 - 26
G570 1225	Sensor Shielding Plate	57 - 6
H012 1181	Bushing - 6mm	29 - 7

Part No.	Description	Page and Index No.
M026 1815	Clamp:Mirror:No.1	15 - 15